

# ***SPRSO***

**BLACK** (2026)

**USER MANUAL** (*US version*)



700.470.020 US (Digital manual - English)

**Model-no:** SPRSO-003

All rights reserved.

No part of this document may be copied and/or published by means of printing, photocopying, microfilming or by any other means whatsoever without the prior written consent of the manufacturer. This also applies to the included drawings and/or diagrams.

The information in this document is based on data that was available at the time the design, the material characteristics and the operating methods were published, meaning that this document is subject to change.

The original instructions for this manual have been written in English. Other language versions of this manual are a translation of the original instructions.

For this reason, the instructions are merely a guideline for the installation, maintenance and repair of the machine displayed on the front cover.

This document applies to the standard version of this machine.

The manufacturer therefore declines all liability for any damage arising from specifications that deviate from the standard version of the machine delivered to you.

This document has been compiled with the utmost care. However, the manufacturer cannot be held liable for any errors it contains or the consequences thereof.

## Table of contents

<b>1. Parts and functions</b>	<b>1</b>
1.1 Parts	1
1.2 Optional parts	1
1.2.1 Milk unit	1
1.2.2 Water filter	1
1.3 Controls	2
<b>2. First start</b>	<b>3</b>
<b>3. Start-up</b>	<b>10</b>
<b>4. Standby</b>	<b>11</b>
<b>5. Your beverage</b>	<b>12</b>
5.1 Preparing your beverage	12
5.2 Personalize your beverage	13
5.3 Adjusting the tap height	14
<b>6. Cleaning</b>	<b>15</b>
6.1 Daily cleaning	15
6.1.1 Drip tray and waste bin	15
6.2 Weekly cleaning	16
6.2.1 Beverage outlet	16
6.2.2 Water tank	17
6.2.3 CIRCO brewer	18
6.2.4 The housing	21
<b>7. Program menu</b>	<b>22</b>
7.1 Maintenance	23
7.1.1 Flush coffee system	24
7.1.2 Clean milk system	25
7.1.3 Clean coffee system	28
7.1.4 Flush milk system	32
7.1.5 Descale	33
7.1.6 Water filter	38
7.1.7 Reposition CIRCO brewer axis	43
7.1.8 Counters	46
7.1.9 Error history	48
7.2 Beverages	49
7.2.1 Create a self-made beverage (general)	50
7.2.2 Edit default beverage (general)	62

7.3	Machine	73
7.3.1	Milk unit	74
7.3.2	Brew temperature	75
7.3.3	Altitude	76
7.3.4	Automatic switch off	77
7.3.5	Child lock	78
7.3.6	Brightness screen	79
7.3.7	Sounds	80
7.3.8	Languages	82
7.3.9	Units	83
7.3.10	Water hardness	85
7.3.11	Reset to factory settings	86
7.3.12	Water system calibration	88
7.3.13	Grinder calibration	90
7.3.14	Machine and software information	94
7.4	Online help	95
<b>8.</b>	<b>Special circumstances</b>	<b>96</b>
8.1	CIRCO brewer partially mounted (Error 10015)	96
8.2	CIRCO brewer malfunction (Error 04104)	99
<b>9.</b>	<b>Warning and errors messages</b>	<b>103</b>
9.1	Warning messages	103
9.2	Error messages	105
9.3	Other problems	107
<b>10.</b>	<b>Appendix</b>	<b>109</b>
10.1	Water hardness and filter information	109
10.2	Installation of a water filter	110
10.2.1	Internal water filter	110
10.2.2	External water filter	111
10.3	Installation a milk unit	112
10.4	Installation a fixed water connection	114
10.5	Bin full message	115
10.6	Special functions	116
10.7	Standard beverage settings (USA)	117

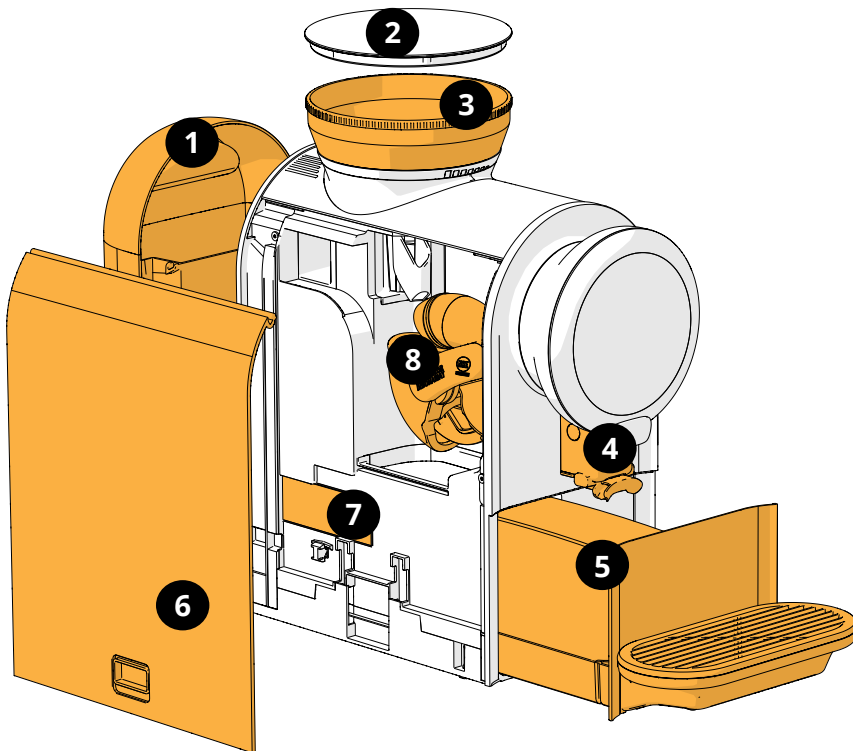
## General

- ▶ *Always read the safety instructions (700.403.347).  
To avoid possible damage, these safety instructions must be read,  
understood and followed.*
- ▶ *Manuals are subject to change, scan the QR code to retrieve current  
information.*

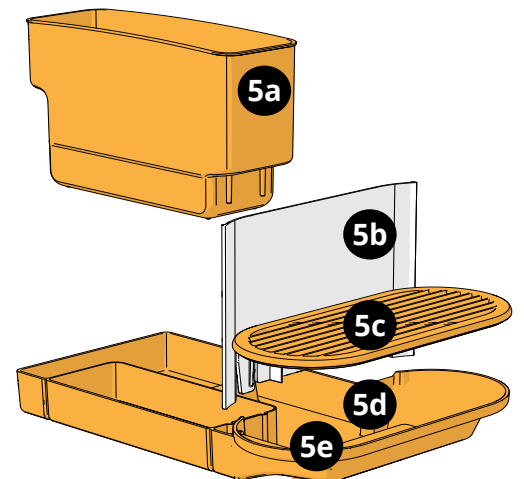


# 1. Parts and functions

## 1.1 Parts



1. Water tank
2. Lid (bean canister)
3. Bean canister and Grinding wheel
4. Outlet
5. Drip tray (complete)
  - 5a. Waste bin
  - 5b. Front plate
  - 5c. Drip tray plate
  - 5d. Drip tray
  - 5e. Overflow drip tray
6. Side/service panel
7. Identification plate
8. CIRCO brewer



## 1.2 Optional parts

### 1.2.1 Milk unit

The Sprso is a bean-to-cup espresso machine. As standard the Sprso does not offer milk-based beverages such as cappuccino. However, you can connect a milk unit/cooler to the Sprso. If you connect a milk unit to the Sprso you can offer five additional beverages: caffè latte, espresso macchiato, cappuccino, latte macchiato and hot milk(foam). How to install the milk unit to the Sprso is described in [§10.3 on page 112](#).

### 1.2.2 Water filter

The water tank of the Sprso can be fitted with a water filter. Water filters are purification filter systems that remove minerals which make water hard and cause scale. We recommend customers to use a water filter. A water filter improves the quality of your beverage and decreases lime scale therewith optimizing the performance of the Sprso. How to fit the water filter into the Sprso is described in [§10.2 on page 110](#).

### 1.3 Controls

There are 4 main buttons for the navigation of the Sprso (see below) and 4 buttons to personalize your beverage (see [§5 on page 12.](#))



1.3a

#### Menu button:

- to enter the program menu (press and hold) (see [§7 on page 22](#))
- to cancel the preparation of a beverage
- ▶ *The menu button can be used to enter a menu or to 'go back'*



1.3b

#### Navigation buttons:

- to scroll through beverages, menu options, settings or change a value



1.3c

#### Start / confirm:

- to start dispensing
- to confirm a selection in the program menu

## 2. First start

This document is applicable to the model number(s):

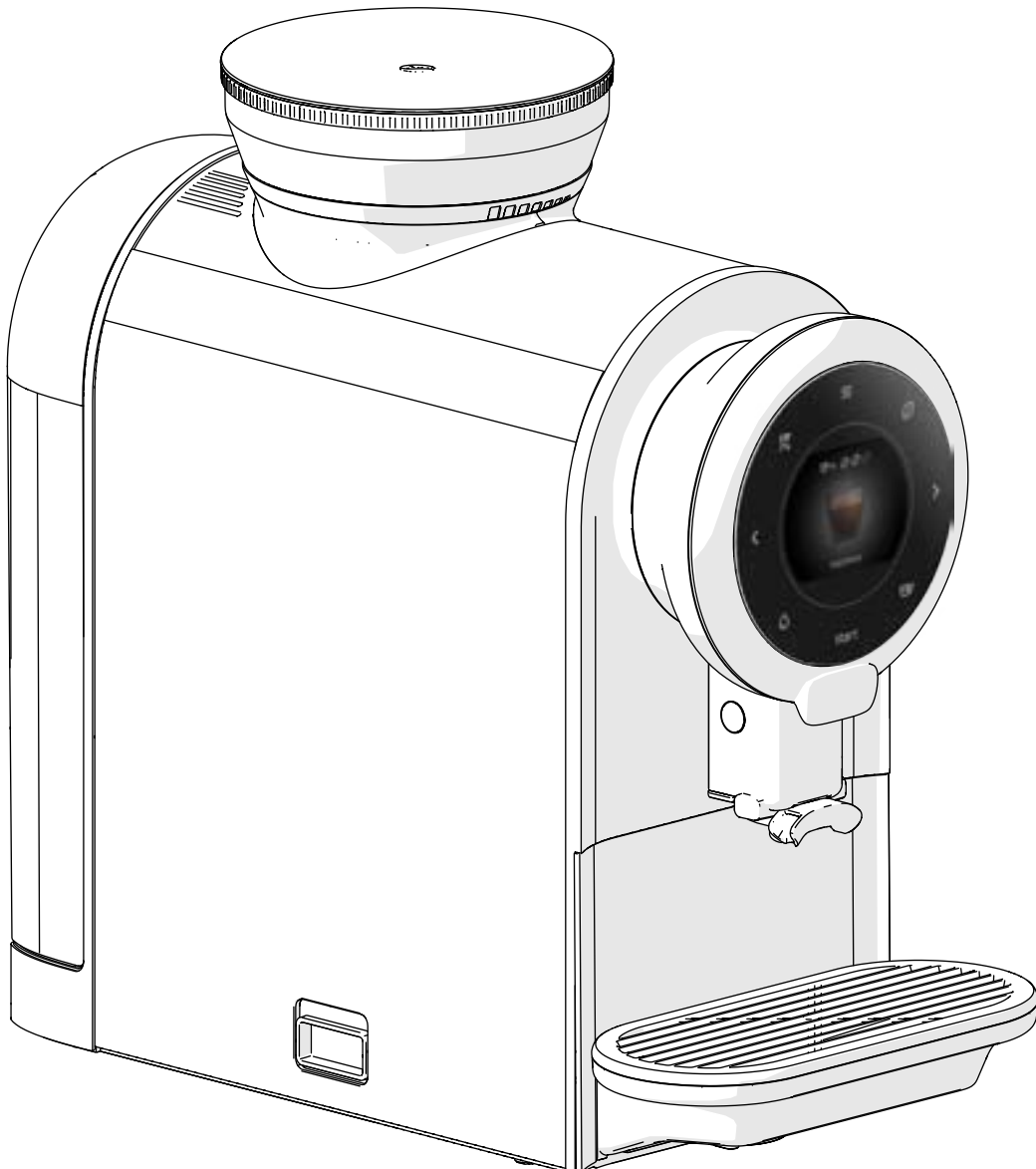
- Sprso-0xx

Unpack the Sprso and inspect for damage

1. read the safety booklet
2. remove the foil from the screen
3. fill the water tank (backside)
4. fill the bean canister (on top)
5. insert the plug in the power socket (ensure it is earthed), to switch on the Sprso
6. follow the installation procedure shown on-screen

Accessories in the packaging:

- safety booklet
- quick start guide
- cleaning tablets (CIRCO brewer)
- water hardness tester
- milk connector
- milk hose
- cleaning tablets (milk connection)



Start the installation procedure:

- after a few seconds the language selection screen will appear



2a

Select your language:

- press < or > to scroll through the available languages
- press **start** to confirm



2b

Read the safety book!

- press **start** to confirm or
- press < to go back to change the language



2c

Select volume units:

- press < or > to choose the units to use
- press **start** to confirm



2d

2e



- Water filter (optional):
- press < or > to choose no/yes
  - press **start** to confirm
- ▶ See [§10.2 on page 110](#).

2f

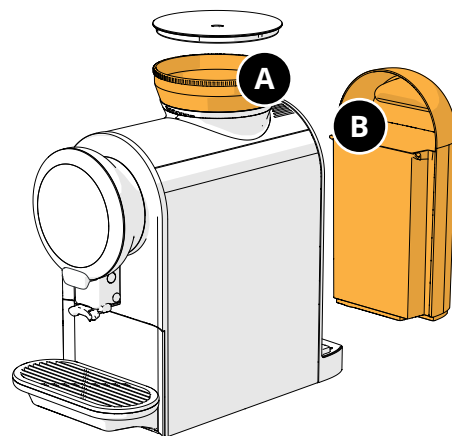


- Select your water hardness:
- press < or > to choose one of the 5 settings
  - press **start** to confirm
- ▶ *It is important to know the correct hardness of the water where the Sprso is used (for setting the descaling signal). If necessary, ask the local water company for the hardness of the water or measure the hardness of the water yourself with the water hardness tester. See also [§10.1 on page 109](#).*

2g



- Fill the bean canister (A) and the water tank (B)
- press **start** to confirm
- ▶ *The water tank must be filled with fresh cold non-carbonated drinking water. Never use warm or hot water.*



2h



- Grinder calibration:
- press **start** to confirm

2.h1



Step 1 calibration: preparation

- make sure that you have all necessities
- press > to go to the next step

2.h2



Step 2 calibration: preparation

- follow the instructions on the screen
- press **start** to confirm

2.h3



Step 3 calibration: preparation

- wait for the next screen

2.h4



Step 4 calibration: preparation

- follow the instructions on the screen
- ▶ *The next screen is displayed automatically when the drip tray is removed.*

2.h5



- Step 5 calibration: preparation
- follow the instructions on the screen
  - press > to go to the next step

► *The scales usually have a button that allows you to reset the display to zero when the empty waste bin is placed on the weighing platform, so that only the weight of the bin's contents is displayed.*

2.h6



- Step 6 calibration: preparation
- follow the instructions on the screen
  - press **start** to confirm

2.h7



- Step 7 calibration:
- wait for the next screen

2.h8



- Step 8 calibration:
- follow the instructions on the screen

2.h9



Step 9 calibration:

- follow the instructions on the screen
- press > to go to the next step

► *The next screen is displayed automatically when the drip tray is removed.*

2.h10



Step 10 calibration:

- follow the instructions on the screen
- press < or > to enter the measured weight
- press **start** to confirm

2.h11



Step 11 calibration: information screen

- *Empty and clean the waste bin and replace all in its original position.*
- the calibration procedure is completed
- wait for the next screen

2i



Milk unit:

- press < or > to choose no/yes
- press **start** to confirm

► See [§10.3 on page 112](#).

2k



- ▶ This screen only shows if you confirmed the previous screen with Yes.

Fill the milk unit:

- press **start** to confirm

2l



The Sprso must be flushed:

- put a big mug underneath the outlet or empty the drip tray after the installation procedure
- press **start** to confirm.

- ▶ Maximal 250 ml hot water from outlet.

2m



Flushing:

- ▶ The screen blinks orange and black after a few seconds the Sprso starts to flush
- ▶ The reminder '**clean milk system daily**' is only visible if a milk unit is connected.

The first installation procedure has completed.

- empty the drip tray if you did not use a big mug to collect the flushing water

The Sprso is ready for use.

- ▶ Only by selecting [§7.3.11 on page 86](#), the first installation procedure can be restarted.

2j



### 3. Start-up

The Sprso flushes for a short period of time when the "first start" is completed and every time the Sprso is switched on.

- ▶ There is **no** automatic empty detection for the bean canister during inactive / standby functions.
- ▶ The water tank must be filled with fresh cold non-carbonated drinking water. Never use warm or hot water.



3a



3b

The screen blinks orange and black.

- after a few seconds the Sprso starts to flush
  - ▶ Hot water ( $\pm 15$  ml) flushes from the outlet into the drip tray.
  - ▶ The reminder '**clean milk system daily**' is only visible if a milk unit is connected.

The Sprso is ready to use



3c

## 4. Standby

The Sprso does not have a power button, but you can manually put the machine into standby mode at any time.

In standby mode all functions are switched off only the start button keeps flashing slowly. To activate the machine press the start button.

► See also [§7.3.4 on page 77](#) to allow the Sprso to automatically enter the standby mode.



4a

Start the 'standby mode':

- press and hold the 'start button'
- the necessary flushes will be done when enabled/required



4b

The screen blinks orange and black.

- after a few seconds the Sprso starts to flush
  - Hot water ( $\pm 15$  ml) flushes from the outlet into the drip tray.
  - The reminder '**clean milk system daily**' is only visible if a milk unit is connected.



4c

The "goodbye" screen remains active for a few seconds, after which only a slowly blinking start button is visible.

- Touch the start button to activate the Sprso.

## 5. Your beverage

Press the navigation buttons (< or >) to scroll through the available beverages.

A standard beverages can be modified or a maximum of three beverages can be added based on the standard beverages, see [§7.2 on page 49](#).








The available beverages are listed in [§10.7 on page 117](#)

### 5.1 Preparing your beverage

Press **start** and the Sprso prepares immediately the selected beverage.

To cancel a selected beverage press **≡**

The following indicators may appear on the screen during the brewing process:

Indicators	Meaning
	busy preparing your beverage
	CIRCO brewer still busy, next action is brewing your coffee
	cancelling your beverage
	empty waste bin (ME05), see <a href="#">§9.1 on page 103</a>
	replace water filter (ME09), see <a href="#">§7.1.6 on page 38</a>
	clean CIRCO brewer (ME08), see <a href="#">§7.1.3 on page 28</a>
	descale machine (ME11), see <a href="#">§7.1.5 on page 33</a>

► *If you want to personalize the beverage select one of the icon buttons as shown in [§5.2 on page 13](#).*

## 5.2 Personalize your beverage

► These settings are used in preparing this one beverage and are not saved.

### Beverage size



5.2a

- press < or > to adjust the volume
- See [§10.7 on page 117](#) for the default volume settings S, M and L per beverage

### Strength / Intense



### Strength



5.2b

- press < or > to adjust your strength
- The beans represents the three levels of coffee strength
- 2 Beans is basic strength. (1 bean: -1 gr., 3 beans: +1 gr.)

### Intense



- press again to adjust your intense setting:
  - » disabled or
  - » enabled
- The intensive function will extend the brew time by 10%.

**Single / double cup**



► *Two cups can only be selected for:*

- *espresso*
- *ristretto*
- *crema coffee*

- press ☕ if you want 2 cups to be prepared simultaneously

5.2c

**Hot water (free flow function)**

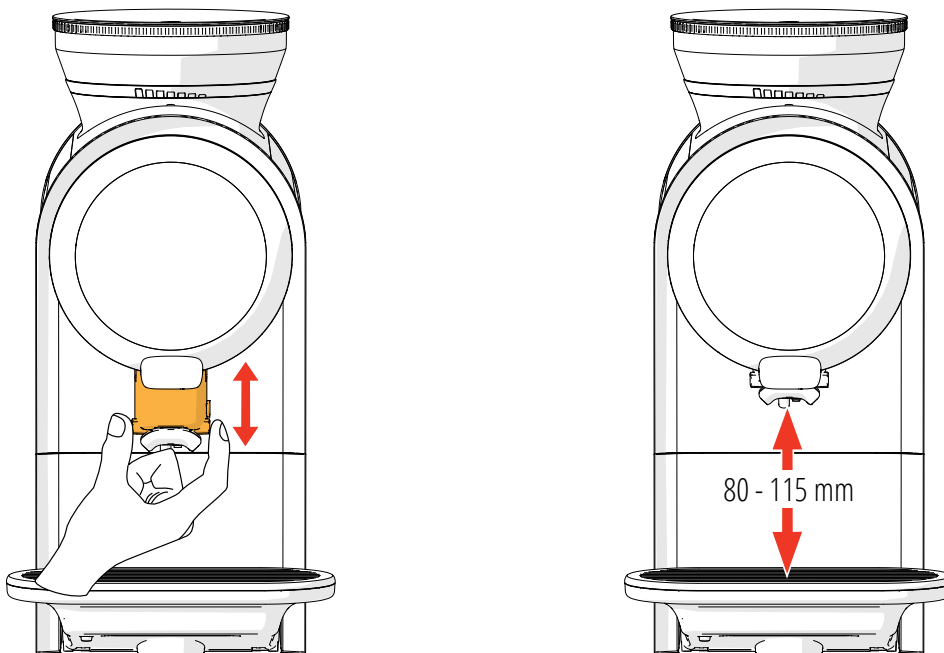


- press and hold 💧 for your hot water

5.2d

**5.3 Adjusting the tap height**

► *Adjust the tapping height (80 - 115 mm) manually by sliding the beverage outlet in and out.*



## 6. Cleaning

It is important to keep the Sprso clean.

The Sprso has two flushing procedures that start automatically.

Screen messages are also generated indicating that a specific cleaning procedure should be started, see [§7.1 on page 23](#).

In addition, it is recommended to manually clean certain parts:

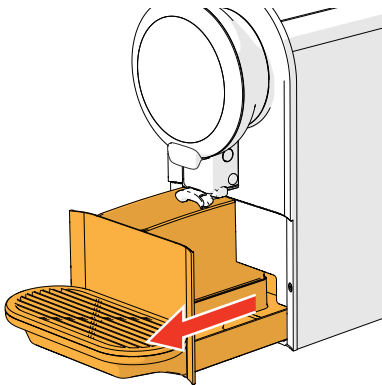
Daily	Weekly
drip tray and waste bin	beverage outlet
	water tank
	CIRCO brewer
	the outside

- ▶ *Never put parts of the Sprso in the dishwasher.*
- ▶ *Do not use any aggressive cleaning agents.*
- ▶ *Clean the milk unit according to the instruction supplied with the milk unit itself.*

### 6.1 Daily cleaning

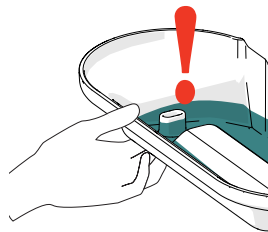
#### 6.1.1 Drip tray and waste bin

6.1.1a



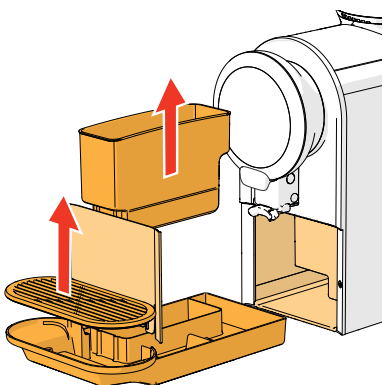
When the message 'empty waste bin' appears on the display, clean the drip tray and waste bin.

1. pull the complete drip tray forward
2. empty both the drip tray and waste bin



- ▶ *Put your finger underneath the overflow to avoid spillage.*

6.1.1b



3. detach the front plate from the drip tray
4. clean with *hot soapy water*:
  - » the drip tray
  - » drip tray plate
  - » waste bin
5. clean with *a damp cloth*:
  - » the front plate
  - » the area where the drip tray slides in
6. dry everything and put it back in place

## 6.2 Weekly cleaning

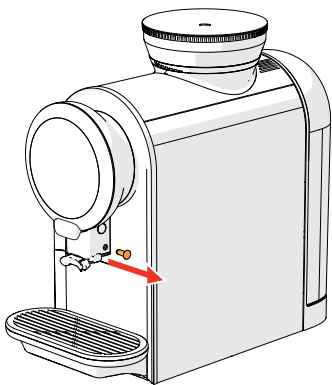
Weekly clean the following parts manually:

- beverage outlet
- water tank
- CIRCO brewer
- the outside

### 6.2.1 Beverage outlet

1. remove the plug, by pulling it to the right

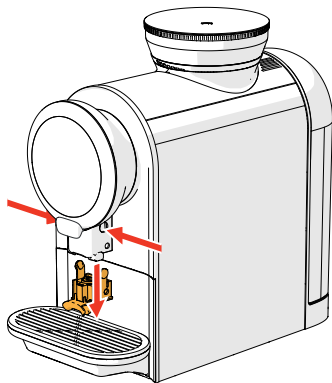
► *If milk unit is present, remove the milk hose including the connector.*



6.2.1a

2. press the 'buttons' on both sides

3. remove the outlet by pulling it downwards



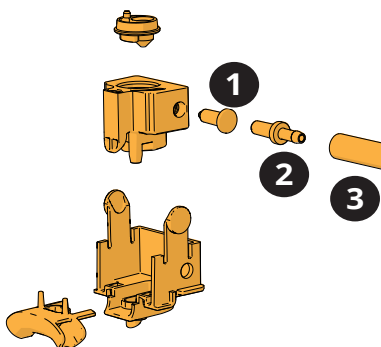
6.2.1b

4. clean the outlet parts using *hot soapy water*

► *Part no. 1 only present if **no** milk unit is connected.*

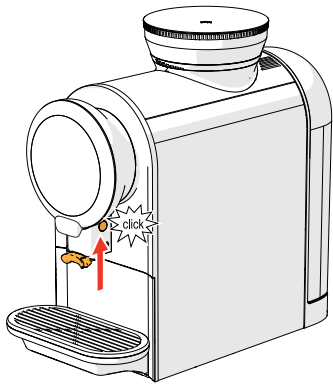
► *Part no. 2 and 3 only present if milk unit is connected.*

5. dry everything



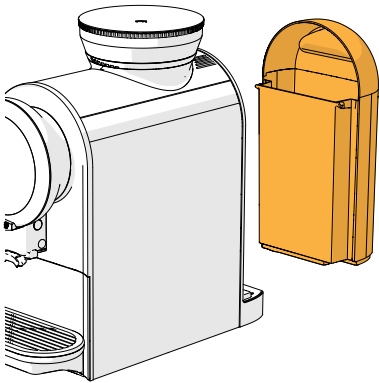
6.2.1c

6. return everything to its original position



6.2.1d

## 6.2.2 Water tank



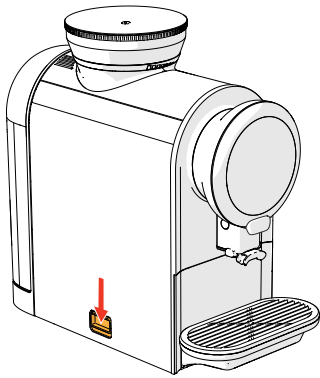
6.2.2a

1. empty the water tank
2. remove the water filter (if present)
3. clean the water tank with *hot water* and a non-abrasive brush
4. dry the outside of the water tank with a soft cloth
5. fill the water tank with fresh cold non-carbonated water and replace

### 6.2.3 CIRCO brewer

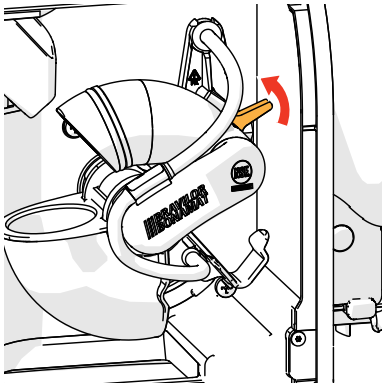
In addition to the fixed cleaning program (see [§7.1.3 on page 28](#)), you can also manually clean the CIRCO brewer as shown below.

1. open the service panel



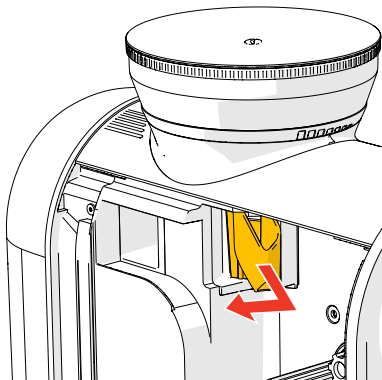
6.2.3a

2. turn the lock counter clockwise
3. remove the CIRCO brewer



6.2.3b

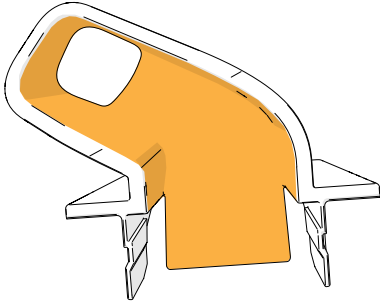
4. remove the grinder outlet



6.2.3c

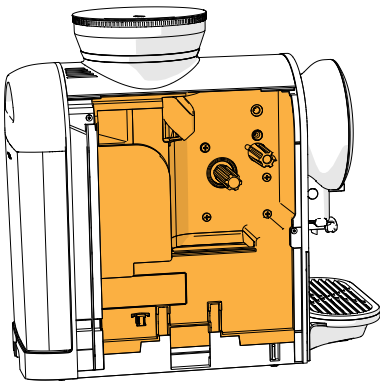
5. clean the grinder outlet with a **dry** cloth

► Do not use water to prevent the ingredients from clumping.



6.2.3d

6. clean the inside of the service compartment with a damp cloth

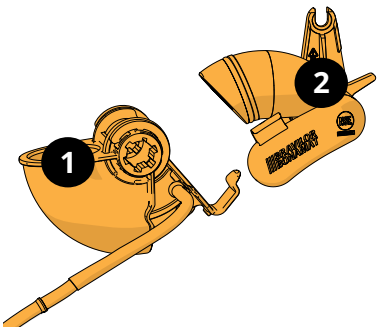


6.2.3e

► It is not necessary to disassemble all the parts

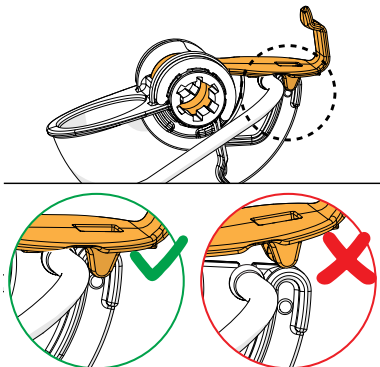
7. clean the two CIRCO brewer halves, housing (nr.1) and head (nr.2), with warm water ( $\pm 60$  °C) and a non - abrasive brush

► Not dishwasher proof



6.2.3f

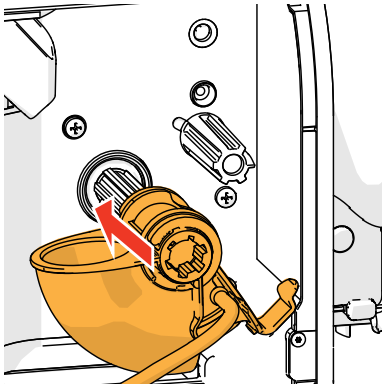
► Check the attachment of the bracket.



6.2.3g

8. slide the housing over the shaft

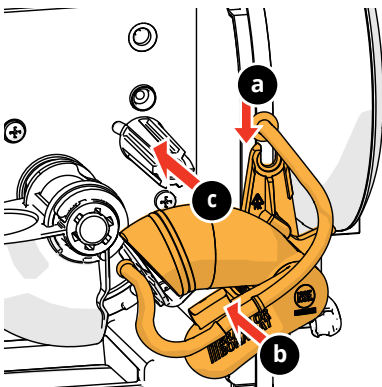
6.2.3h



9. push the head a little over the shaft

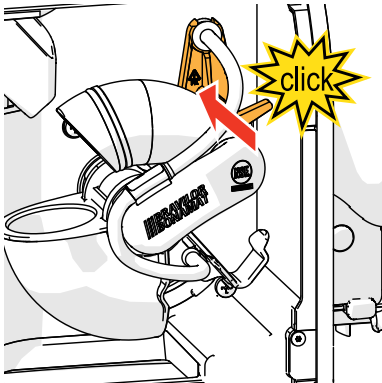
► Check the position of the hose in the brackets (a and b)

6.2.3i



10. push the head further over the shaft until it clicks into place

6.2.3j



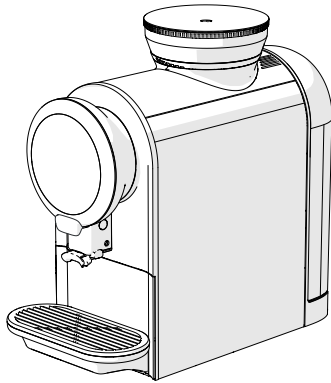
11. close the service panel

12. start flushing the machine, see [§7.1.1 on page 24](#)

6.2.3k



## 6.2.4 The housing




6.2.4a

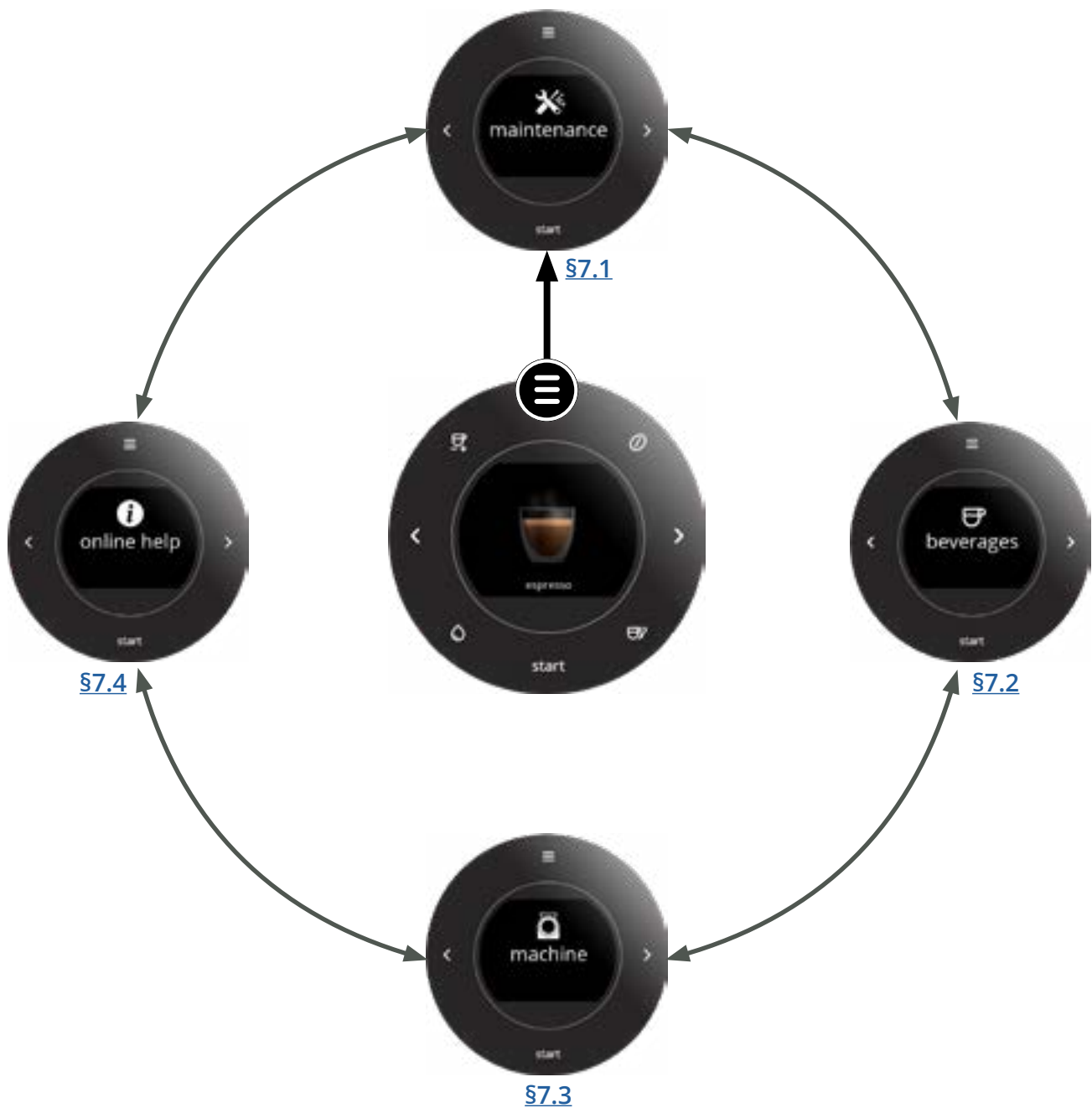
1. clean the outside of the Sprso with a damp cloth
2. dry everything with a soft cloth

## 7. Program menu

Press and hold the menu button  to open a program menu.

- press < or > to scroll through the 'program menus' or
- press **start** to confirm or
- press  to cancel

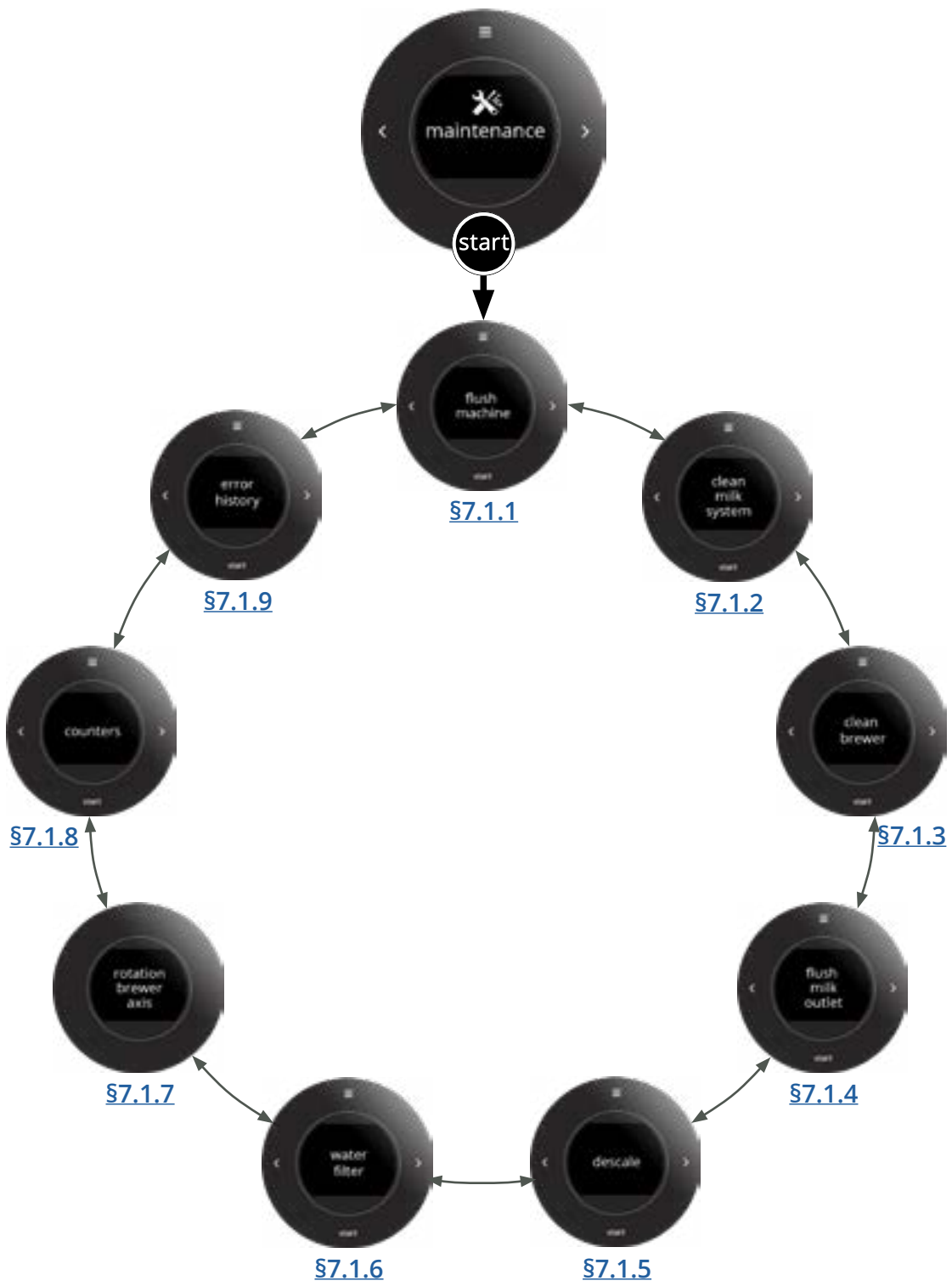
► When the program menu is selected but no button is pressed within 30 seconds, the Sprso returns to the 'beverage selection screen'.



## 7.1 Maintenance

The cleaning procedures and the descaling program can be started in the maintenance menu. If a water filter is installed, replaced or removed, it must be specified in the machine software, see [§7.1.6 on page 38](#).

The beverage counters and the error history can be read in this menu.



### 7.1.1 Flush coffee system

This program is used to flush the CIRCO brewer.

Hot water is pumped through the CIRCO brewer and the coffee outlet to rinse it.

The CIRCO brewer needs to be rinsed frequently.

- time: 40 seconds

7.1.1



Flush the coffee outlet:

- press **start** to confirm
- press < or > to scroll through the maintenance menu

7.1.1a



The screen blinks orange and black.

- wait for the next screen

Flushing:

- wait until the process is finished

- ▶ *Hot water (±15 ml) flushes from the outlet into the drip tray.*
- ▶ *The reminder '**clean milk system daily**' is only visible if a milk unit is connected.*
- ▶ *The Sprso automatically returns to the 'beverage selection screen'.*

7.1.1b



## 7.1.2 Clean milk system

This is only visible when the milk unit is activated.

- ▶ *The milk unit is not automatically detected it must be selected in the software, see [§7.3.1 on page 74](#).*
- ▶ *When this procedure is to be carried out depends on the number of milk-based beverages, but must be conducted at least once a day.*

### **Necessities:**

- milk system cleaner (recommended: Rinza® M61 tablets)
- measuring jug (250 ml)
- big mug (>250 ml)
- time: ± 10 minutes

The milk system must be cleaned daily:

- press **start** to confirm
- press < or > to scroll through the maintenance menu
- ▶ *The function of cleaning the milk system will only be visible when the milk unit is activated.*



7.1.2



7.1.2a

Step 1 preparation:

- make sure that all necessities are present
- press > to go to the next screen



7.1.2b

Step 2 preparation:

- follow the instructions on the screen
- ▶ *Water comes into the waste bin, therefore it is necessary to empty it.*
- ▶ *When emptying the drip tray, place your finger under the overflow to prevent spillage.*
- ▶ *When the drip tray and waste bin are back in position the next screen will appear.*



7.1.2c

Step 3 preparation cleaning solution:

- dissolve one tablet completely in 250 ml lukewarm water (max. 35 °C).

► *If the solution is too hot, steam will be generated during cleaning, making cleaning ineffective.*

- press > to go to the next screen



7.1.2d

Step 4 information screen:

- follow the instructions on the screen

► *It is also advisable to clean the beverage outlet manually on a weekly basis, see [§6.2.1 on page 16](#).*



7.1.2e

Step 5 start milk cleaning program:

- follow the instructions on the screen
- put the measuring jug and empty big mug in place
- insert the milk connector hose in the measuring jug with cleaning solution
- press **start** to begin the cleaning process

► *The cleaning process cannot be interrupted after this step.*



7.1.2f

Step 6 cleaning the milk system is in progress:

- the screen blinks orange and black for a few seconds before the cleaning cycle begins
- wait for the next screen

► *Hot water and steam (±250 ml) will come from the outlet!*

7.1.2g



Step 7 preparation rinsing:

- empty the big mug
- follow the instructions on the screen
  - ▶ *Use cold water, hot water produces too much steam which does not help rinsing.*
- press > to go to the next screen

7.1.2h



Step 8 preparation rinsing:

- follow the instructions on the screen
- put the measuring jug and empty big mug in place
- insert the milk connector hose in the measuring jug with clean cold water
- press **start** to begin the rinsing process

7.1.2j



Step 9 rinsing is in progress:

- the screen blinks orange and black for a few seconds before the rinsing cycle begins
- wait for the next screen
  - ▶ *Hot water and steam (±250 ml) will come from the outlet!*

7.1.2i



The cleaning procedure has finished.

- press **start** to confirm
  - ▶ *Water has entered the waste bin, therefore it is advisable to empty it.*

### 7.1.3 Clean coffee system

This procedure cleans the CIRCO brewing unit and the coffee spout (incl. hoses).

► *When this procedure is to be carried out depends on the number of coffee-based beverages.*

#### **Necessities:**

- CIRCO brewer cleaner  
(recommended: Cafiza® E16 tablets)
- full water tank
- measuring jug (500 ml)
- time: ± 15 minutes



7.1.3

The CIRCO brewer must be cleaned periodically:

- press **start** to confirm or
- press < or > to scroll through the maintenance menu



7.1.3a

Step 1 preparation:

- make sure that all necessities are present
- press > to go to the next screen



7.1.3b

Step 2 preparation:

- follow the instructions on the screen
  - *Some water flows into the waste bin, therefore it is necessary to empty it.*
  - *When emptying the drip tray, place your finger under the overflow to prevent spillage.*
  - *When the drip tray and waste bin are back in place, the next screen will appear.*

7.1.3c



Step 3 preparation rinsing:

- follow the instructions on the screen
- press **start** to begin the cleaning process

7.1.3d



Step 4 pre-rinse of the CIRCO brewer:

- the screen blinks orange and black for a few seconds before the rinsing cycle begins
- wait for the next screen

► *Hot water ( $\pm 30$  ml) will come from the outlet!*

7.1.3e



Step 5 preparation cleaning:

- follow the instructions on the screen
- press **start** to begin the cleaning process

► *The cleaning process cannot be interrupted after this step.*

7.1.3f



Step 6 preparation cleaning:

- open the side panel as shown on the screen

► *When the side panel is removed, the next screen will appear.*

Step 7 information screen:

- follow the instructions on the screen

► *It is also advisable to clean the CIRCO brewer manually on a weekly basis, see [§6.2.3 on page 18](#).*



7.1.3g

Step 8 preparation cleaning:

- put the cleaning tablet in the CIRCO brewer
- press > to go to the next screen



7.1.3h

Step 9 preparation cleaning:

- close the side panel as shown on the screen

► *When the side panel is back in place, the next screen will appear.*



7.1.3i

Step 10 preparation cleaning:

- put a measuring jug in place
- press start to begin the cleaning process



7.1.3j



7.1.3k

Step 11 cleaning the CIRCO brewer in progress:

- the screen blinks orange and black for a few seconds before the cleaning cycles begins
- wait for the next screen, this may take about 10 minutes
  - ▶ *Hot water and steam (±250 ml) will come from the outlet!*



7.1.3l

Step 12 cleaning the CIRCO brewer:

- follow the instructions on the screen
  - ▶ *Water has entered the waste bin, therefore it is advisable to empty it.*
  - ▶ *When emptying the drip tray, place your finger under the overflow to prevent spillage.*
  - ▶ *When the drip tray and waste bin are back in position the next screen will appear.*



7.1.3m

The cleaning procedure has finished.

- press **start** to confirm



7.1.3n

Information screen:

- ▶ *Only visible if a milk unit is activated in the software.*
- press > to go to the maintenance menu

### 7.1.4 Flush milk system

This is only visible when the milk unit is activated.

- ▶ *The milk unit is not automatically detected, see [§7.3.1 on page 74](#).*

Hot water (30 ml) is pumped through the milk outlet to rinse it.

This is a quick cleaning procedure that removes the milk from the outlet.

- time: 20 seconds

- ▶ *The milk flushing function is also activated automatically 10 minutes after dosing a beverage containing milk.*



7.1.4

The milk outlet can be flushed manually:

- press **start** to confirm or
- press < or > to scroll through the maintenance menu

- ▶ *This function is only visible if a milk unit has been activated in the software.*



7.1.4a



The screen blinks orange and black.

- wait for the next screen



7.1.4b

Flushing:

- wait until the process is finished

- ▶ *Hot water (30 ml) flushes from the outlet into the drip tray.*
- ▶ *The Sprso automatically returns to the 'beverage selection screen'.*

### 7.1.5 Descal

Descaling removes all lime scale deposits in the water system, which prolongs the life-cycle of the device.

**Necessities:**

- descale agent  
(recommended: "RENEGITE", our proven descaling agent)
- measuring jug (500 ml)
- total time: ± 20 minutes

- ▶ The descaling process cannot be interrupted after the descaling agent is in the Sprso!
- ▶ Remove the water filter (if applicable) to ensure it won't be damaged by the descaling agent.
- ▶ Disconnect the milk unit (if connected) to prevent taste transfer.



7.1.5

The Sprso must be descaled frequently:

- press **start** to confirm or
- press < or > to scroll through the maintenance menu



7.1.5a

Step 1 information screen:

- press > to go to the next screen
- ▶ *xxx Indicates how much water the machine has used and yyy is set after which descaling is required (see [§7.3.10 on page 85](#)).*



7.1.5b

Step 2 information screen:

- duration of descaling program
- ▶ *If a fixed water connection is used additional steps are necessary:*
  - » close the water tap
  - » disconnect the hose from the water tank (see the sticker on the water tank).
- press > to go to the next screen

7.1.5c



Step 3 preparation:

- make sure that all necessities are present
- press > to go to the next screen

7.1.5d



Step 4 preparation:

- follow the instructions on the screen
- press > to go to the next screen
  - ▶ *Recommended: 50 gr Renegite / 500 ml water*
  - ▶ *If the volume is higher than the recommended (minimum) amount, more descaling solution will come out of the machine.*

7.1.5e



Step 5 preparation:

- ▶ *Only visible if a milk unit is activated in the software.*
- follow the instructions on the screen
- press > to go to the next screen

7.1.5f



Step 6 preparation:

- ▶ *If a water filter is connected in the water tank, remove it now.*
- follow the instructions on the screen
- press > to go to the next screen

7.1.5g



Step 7 preparation:

- follow the instructions on the screen
- press > to go to the next screen
- ▶ *Cancelling now implicates that the water tank must be emptied and rinsed thoroughly.*
- ▶ *The descaling process cannot be interrupted after this step.*

7.1.5h



Step 8 descaling process:

- follow the instructions on the screen
- press **start** to begin the actual descale process

7.1.5i



Step 9 descaling process:

- wait for the next screen ( $\pm$  11 minutes)
- ▶ *Do not leave the Sprso unattended.*
- ▶ *Hot water with descaling solution comes from the outlet.*

7.1.5j



Step 10 descaling process:

- follow the instructions on the screen
- press > to go to the next screen

Step 11 refill water tank:

- follow the instructions on the screen
  - ▶ *Use cold water.*
  - ▶ *If the volume is higher than the recommended (minimum) amount, more rinse water will come out of the machine and rinsing will take longer.*
- press > to go to the next screen



7.1.5k

Step 12 preparation rinsing:

- follow the instructions on the screen
- press **start** to begin the rinsing



7.1.5l

Step 13 rinsing is in progress:

- wait for the next screen ( $\pm 2$  minutes)
  - ▶ *Hot water comes from the outlet!*
  - ▶ *Rinsing will take longer if there is more than the minimum (500 ml) water in the water tank.*



7.1.5m

Information screen:

- ▶ *Only visible if a milk unit is activated in the software.*
- follow the instructions on the screen
- press > to go to the next screen



7.1.5n



7.1.5o

The descaling procedure is finished and the descaling counter is reset.

- press **start** to confirm

- ▶ *Reconnect the water filter when it was removed in [7.1.5f](#) and fill the water tank.*
- ▶ *Reconnect the fixed water connection if used and open the tap.*

### 7.1.6 Water filter

How to install a water filter is described in [§10.2 on page 110](#).

If a water filter is installed, replaced or removed this must be confirmed in the software so that the counter is updated. The Sprso can now indicate when it needs to be replaced.

A water filter reduces limescale and impurities in the water, making descaling less frequent (see [§10.1 on page 109](#)).

Additionally, it ensures a consistent quality of the hot beverage in both taste and aroma.

- ▶ *When replacing an internal water filter with an external filter, or vice versa, the first filter must first be uninstalled from the software (screen [7.1.6g](#)), after which the other filter can be installed.*

7.1.6



You can replace, remove or install the water filter:

- press **start** to confirm or
- press < or > to scroll through the maintenance menu
- ▶ *water filter **already** installed:  
next screen is [7.1.6b](#)*
- ▶ *water filter **not yet** installed:  
next screen is [7.1.6k](#)*

7.1.6a



Water filter information

- litres of water that passed the filter after the last installation/replacement
- press > to go to the next screen
- ▶ *xxx Indicates how much water the machine has used and yyy is the amount when the water filter needs to be changed (see [§10.1 on page 109](#)).*

7.1.6b



Replace the same type of water filter:

- ▶ *the water filter counter has been reached*
- press < or > to choose no/yes
- press **start** to confirm
- ▶ *selected YES:  
next screen is [7.1.6c](#)*
- ▶ *selected NO:  
next screen is [7.1.6g](#)*

7.1.6c



Replace the water filter, see [§10.2 on page 110](#):

- press **start** to confirm
- ▶ *replace **internal** filter go to screen [7.1.6f](#)*
- ▶ *replace **external** filter go to the next screen*

7.1.6d



External filter capacity:

- press < or > to choose a capacity and
- press **start** to confirm

7.1.6e



Information screen:

- ▶ *When installing an external water filter, the descaling indicator is automatically deactivated, therefore it is recommended to descale Sprso **immediately after replacing the external filter.***
- after a few seconds the next screen will appear

7.1.6f



The water filter is replaced, the procedure is finished and the counter is set to zero.

7.1.6g



- Remove the water filter:
- press < or > to choose no/yes
  - press **start** to confirm
- ▶ *selected YES:*  
*next screen is [7.1.6g](#)*
- ▶ *selected NO:*  
*next screen is [7.1.6j](#)*

7.1.6h



- Remove the water filter:
- press **start** to confirm

7.1.6i



The water filter is removed, the procedure is finished and the counter is deactivated.

7.1.6j



No changes were made, the procedure is finished.



7.1.6k

- Install the water filter:
- press < or > to choose no/yes
  - press **start** to confirm
- ▶ *selected YES:*  
next screen is [7.1.6l](#)
  - ▶ *selected NO:*  
next screen is [7.1.6j](#)



- Choose the type of filter:
- press < or > to choose an intern or external water filter
  - press **start** to confirm



7.1.6l



7.1.6m

- Install a water filter, see [§10.2 on page 110](#):
- press **start** to confirm
- ▶ *selected INTERNAL:*  
next screen is [7.1.6o](#)
  - ▶ *selected EXTERNAL:*  
next screen is [7.1.6n](#)



7.1.6n

- External filter capacity:
- press < or > to choose a capacity and
  - press **start** to confirm

The water filter is installed, the procedure is finished and the counter is activated.



7.1.6o

### 7.1.7 Reposition CIRCO brewer axis

It is possible that the CIRCO brewer housing cannot be brought into the correct position because the CIRCO brewer axis has rotated.

► *The CIRCO brewer axis shaft can be turned manually and must not be turned with tools.*

You can reposition the CIRCO brewer axis:

- press **start** to confirm or
- press < or > to scroll through the maintenance menu



7.1.7



- open the side panel as shown on the screen
- *When the side panel is removed, the next screen will appear.*

7.1.7a



- press < or > to determine the direction of rotation
- press **start** to confirm and go to the next screen

7.1.7b



► *The side panel must be closed, otherwise there is a risk of injury from rotating parts.*

• close the side panel as shown on the screen

► *When the side panel is back in place, the next screen will appear.*

7.1.7c



- press **start** (and hold) to rotate the axis
- press **>** and go to the next screen

7.1.7d



• open the side panel as shown on the screen

► *When the side panel is removed, the next screen will appear.*

7.1.7e



Can the CIRCO brewer be placed:

- press **<** or **>** to choose no/yes
- press **start** to confirm

► *selected YES:  
next screen is [7.1.7g](#)*

► *selected NO:  
next screen is [7.1.7b](#)*

7.1.7f



- close the side panel as shown on the screen
  - ▶ *When the side panel is removed, the procedure is finished and screen [7.1.7](#) is shown.*

7.1.7g

### 7.1.8 Counters

The Counters tell you how many beverages have been prepared. Self-created beverages (see §7.2.1 on page 50) are also counted and added to the total machine counter, even when they are deleted.

- ▶ *The total machine counter will count every beverage dosed by the Sprso. It will not be possible to see the history of these beverages.*
- ▶ *Hot water dosages are counted when the amount exceeds 20 ml.*

7.1.8



Counter readings:

- press **start** to confirm or
- press < or > to scroll through the maintenance menu

7.1.8a



Total counters:

- press < or > to scroll through the counters menu
- ▶ *total day counter = total of all day counters after reset*
- ▶ *total beverage counter = total of all beverage counters from start (cancelled beverages are not included)*

7.1.8b



Day counter beverages:

- press < or > to scroll through the counters menu
- ▶ *day counter = individual beverage after reset*
- ▶ *beverage counter = individual beverage from start (cancelled beverages are not included)*



7.1.8c

Total machine counter:

- press < or > to scroll through the counters menu
  - ▶ *total machine counter = total of all beverages ever made (deleted customized beverages as in [§7.2.1 on page 50](#) are included)*



7.1.8d

Delete all day counters:

- press **start** to confirm or
- press < or > to scroll through the counters menu
  - ▶ *The day counters and the total day counter were set to 0.*

### 7.1.9 Error history

A total of 12 errors can be logged for technical support. When the log is full the first error will be overwritten.

More information can be found in [§9 on page 103](#).



7.1.9

Error history:

- press **start** to confirm or
- press < or > to scroll through the maintenance menu



7.1.9a

Error history list:

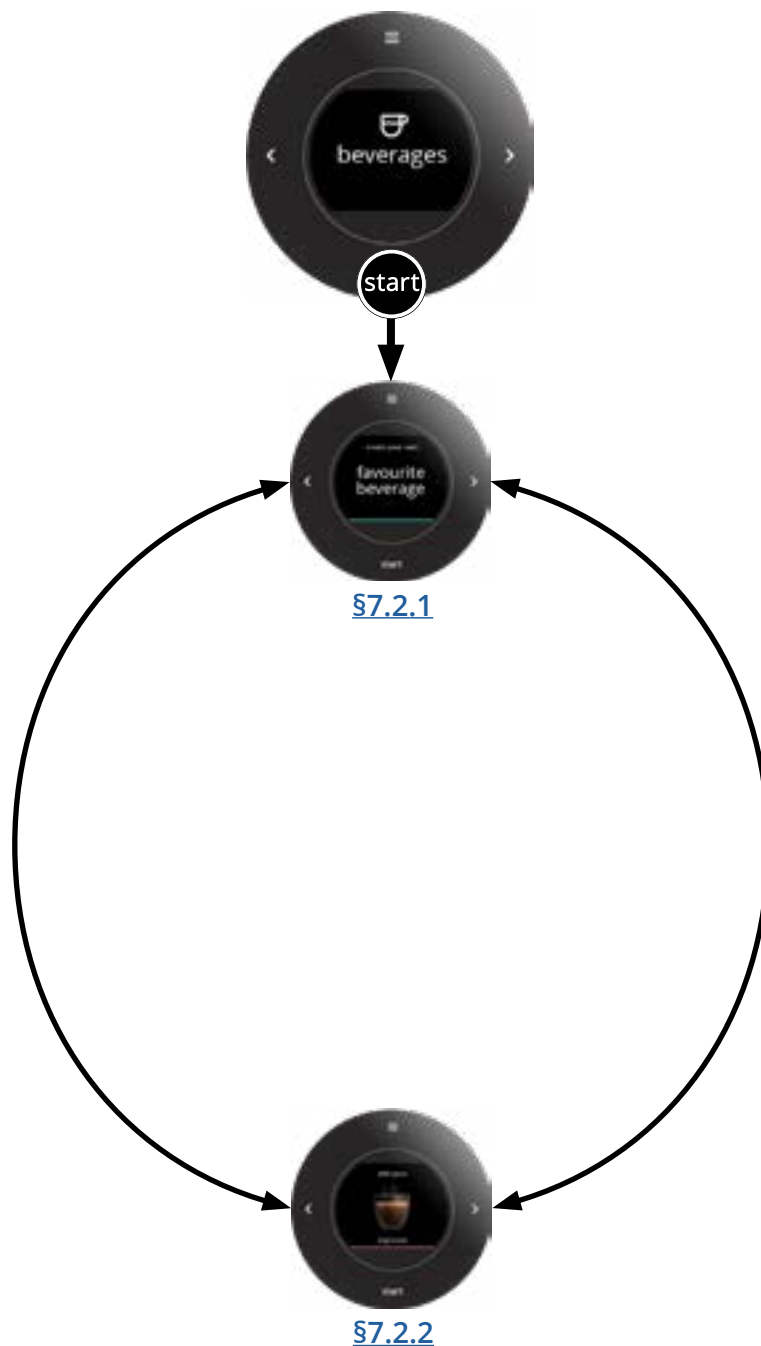
- press < or > to scroll through the error history
- ▶ *A total of 12 errors can be logged.  
When the log is full the first error will be overwritten.*

## 7.2 Beverages

Press the start button  in the program menu to open the beverage menu.

In the "Beverage menu" select one of the available options:

- default beverages - adjust strength, intensity and volume
- customized beverages - three beverages can be added based on the default beverages



## 7.2.1 Create a self-made beverage (general)

You can add up to three beverages *based on the default* beverages.

When a 'self-made beverage' is created this will be saved with an identification ('beverage name' | 1, 'beverage name' | 2 and 'beverage name' | 3) and will be automatically added to the 'beverage selection screen'.

- There are three different workflows to create beverages:
  1. coffee only
  2. coffee with milk (or extra water)
  3. hot water or hot milk

7.2.1



Create a self-made beverage:

- press **start** to confirm or
- press < or > to scroll through the beverage menu
  - ▶ *maximum custom beverages **not yet** reached:*
    - » coffee only go to screen [7.2.1.1](#)
    - » coffee with 'milk' or 'extra water' go to screen [7.2.1.2](#)
    - » milk or hot water go to screen [7.2.1.3](#)
  - ▶ *maximum custom beverages **is** reached go to screen [7.2.1a](#)*
- press ≡ and leave the "Beverage menu"

7.2.1a



The maximum of 3 self-made beverages has been reached

- press < or > to choose no/yes
- press **start** to confirm
  - ▶ *selected YES:*  
next screen is [7.2.1b](#)
  - ▶ *selected NO:*  
next screen is [7.2.1](#)
- press **start** to confirm
- press ≡ and go to screen [7.2.1.1](#)

7.2.1b



Replace a self-made beverage:

- press < or > to replace one of the customized beverages
- press **start** to confirm
- press ≡ and go to screen [7.2.1.1](#)

### 7.2.1.1 Create a self-made beverage for coffee only

► *The self-made beverages can only be made based on the standard beverages.*

7.2.1.1



Create a self-made beverage:

- press < or > to choose a standard beverage from the carousel on which the self-made beverage will be based
  - *Double beverage are also available, so you can add your self-made double beverage.*
- press **start** to confirm
  - *For coffee only go to screen [7.2.1.1a](#)*
  - *For coffee with 'milk' or 'extra water' go to screen [7.2.1.2](#)*
  - *For milk or hot water go to screen [7.2.1.3](#)*
- press ≡ and leave the "Beverage menu"

7.2.1.1a



Volume:

- press < or > to choose the volume
  - *The related arrow will disappear if the minimum or maximum value is reached (off, 20-250ml).*
  - *If "off" is selected (only applicable for S and L), the beverage will be turned off and screen [7.2.1.1e](#) will displayed directly.*
- press **start** to confirm
- press ≡ and go to screen [7.2.1.1g](#)

7.2.1.1b



Coffee weight:

- press < or > to choose the weight
  - *The related arrow will disappear if the minimum or maximum value is reached.*
  - *Doses exceeding 18 g are divided equally between two doses.*
- press **start** to confirm
- press ≡ and go to screen [7.2.1.1g](#)

7.2.1.1c



Extraction time:

- ▶ *The time that the water is injected into the ground coffee.*
- press < or > to choose the seconds
- ▶ *The related arrow will disappear if the minimum or maximum value is reached (5-60sec.).*
- press **start** to confirm
- press ≡ and go to screen [7.2.1.1g](#)

7.2.1.1d



Pre-infusion option:

- ▶ *This function adds water to the ground coffee to soak for a better taste.*
- press < or > to choose on/off
- press **start** to confirm
- press ≡ and go to screen [7.2.1.1g](#)

7.2.1.1e



Save beverage.

- press **start** to confirm
- press ≡ and go to screen [7.2.1.1g](#)

7.2.1.1f



Information screen.

- ▶ *The Sprso automatically go to screen [7.2.1.1h](#)*

Information screen.

- ▶ The Sprso automatically go to screen [7.2.1.1](#)

7.2.1.1g



Test option:

- press < or > to choose no/yes

- ▶ selected YES:  
next screen is [7.2.1.1i](#)

» Place a cup under the tap. Make sure it is the right size.

- ▶ selected NO:  
next screen is [7.2.1.1k](#)

- press **start** to confirm

7.2.1.1h



Information screen

- ▶ Your test beverage is being prepared.
- ▶ The Sprso automatically go to screen [7.2.1.1j](#)

7.2.1.1i



Test result.

- press < or > to choose no/yes

- ▶ selected YES:  
next screen is [7.2.1.1k](#)

- ▶ selected NO:  
next screen is [7.2.1.1a](#)

- press **start** to confirm

7.2.1.1j





7.2.1.1k

Finished.

- press < or > to edit another or make a new beverage
- press **start** to confirm and go to the next screen
- press ≡ and leave the "Beverage menu"



7.2.1.1l

Delete a *self-made beverage*:

- press < or > to choose no/yes
  - ▶ *selected YES:*  
next screen is [7.2.1.1](#)
  - ▶ *selected NO:*  
next screen is [7.2.2.1](#)
- press **start** to confirm

## 7.2.1.2 Create a self-made beverage for coffee with milk (or extra water)

► *The self-made beverages can only be made based on the standard beverages.*

7.2.1.2



Create a self-made beverage:

- press < or > to choose a standard beverage from the carousel on which the self-made beverage will be based
  - *Double beverage are also available, so you can add your self-made double beverage.*
- press **start** to confirm
  - *For coffee only go to screen [7.2.1.1](#)*
  - *For coffee with 'milk' or 'extra water' go to screen [7.2.1.2a](#)*
  - *For milk or hot water go to screen [7.2.1.3](#)*
- press ≡ and leave the "Beverage menu"

7.2.1.2a



Coffee volume:

- press < or > to choose the volume
  - *The related arrow will disappear if the minimum or maximum value is reached (off, 20-250ml)*
  - *If "off" is selected (only applicable for S and L), the beverage will be turned off and screen [7.2.1.2f](#) will displayed directly.*
- press **start** to confirm
- press ≡ and go to screen [7.2.1.2h](#)

7.2.1.2b



Coffee weight:

- press < or > to choose the weight
  - *The related arrow will disappear if the minimum or maximum value is reached (6-18g).*
- press **start** to confirm
- press ≡ and go to screen [7.2.1.2h](#)

7.2.1.2c



Extraction time:

- ▶ *The time that the water is injected into the ground coffee.*
- press < or > to choose the seconds
- ▶ *The related arrow will disappear if the minimum or maximum value is reached (5-60sec.).*
- press **start** to confirm
- press ≡ and go to screen [7.2.1.2h](#)

7.2.1.2d



Pre-infusion option:

- ▶ *This function adds water to the ground coffee to soak for a better taste.*
- press < or > to choose on/off
- press **start** to confirm
- press ≡ and go to screen [7.2.1.2h](#)

7.2.1.2e



Milk (or water) volume:

- press < or > to choose on/off
- press **start** to confirm
- press ≡ and go to screen [7.2.1.2h](#)
- ▶ *zzz ml = xxx ml (coffee) + yyy ml (milk or water)*

7.2.1.2f



Save beverage.

- press **start** to confirm
- press ≡ and go to screen [7.2.1.2h](#)

Information screen.

- ▶ *The Sprso automatically go to screen [7.2.1.2i](#)*



7.2.1.2g

Information screen.

- ▶ *The Sprso automatically go to screen [7.2.2.1](#)*



7.2.1.2h

Test option:

- press < or > to choose no/yes

- ▶ *selected YES:  
next screen is [7.2.1.2j](#)*

» Place a cup under the tap. Make sure it is the right size.

- ▶ *selected NO:  
next screen is [7.2.1.2l](#)*

- press **start** to confirm



7.2.1.2i

Information screen

- ▶ *Your test beverage is being prepared.*
- ▶ *The Sprso automatically go to screen [7.2.1.2k](#)*



7.2.1.2j



7.2.1.2k

Test result.

- press < or > to choose no/yes
  - ▶ *selected YES:*  
next screen is [7.2.1.2l](#)
  - ▶ *selected NO:*  
next screen is [7.2.1.2g](#)
- press **start** to confirm



7.2.1.2l

Finished.

- press < or > to edit another or make a new beverage
- press **start** to confirm and go to the next screen
- press ≡ and leave the "Beverage menu"



7.2.1.2m

Delete a *self-made beverage*:

- press < or > to choose no/yes
  - ▶ *selected YES:*  
next screen is [7.2.1.2](#)
  - ▶ *selected NO:*  
next screen is [7.2.2.2](#)
- press **start** to confirm

### 7.2.1.3 Create a self-made beverage for hot water or hot milk

► *The self-made beverages can only be made based on the standard beverages.*

7.2.1.3



Create a self-made beverage:

- press < or > to choose a standard beverage from the carousel on which the self-made beverage will be based
- press **start** to confirm
  - For coffee only go to screen [7.2.1.1](#)
  - For coffee with 'milk' or 'extra water' go to screen [7.2.1.2](#)
  - For milk or hot water go to screen [7.2.1.3a](#)
- press ≡ and leave the "Beverage menu"

7.2.1.3a



Hot water (or milk) volume:

- press < or > to choose the volume
  - The related arrow will disappear if the minimum or maximum value is reached (off, 20-250ml)
  - If "off" is selected (only applicable for S and L), the beverage will be turned off and screen [7.2.1.3b](#) will be displayed directly.
- press **start** to confirm
- press ≡ and go to screen [7.2.1.3d](#)

7.2.1.3b



Save beverage.

- press **start** to confirm
- press ≡ and go to screen [7.2.1.3d](#)

Information screen.

- ▶ *The Sprso automatically go to screen [7.2.1.3e](#)*



7.2.1.3c

Information screen.

- ▶ *The Sprso automatically go to screen [7.2.2.3](#)*



7.2.1.3d

Test option:

- press < or > to choose no/yes

- ▶ *selected YES:  
next screen is [7.2.1.3f](#)*

» Place a cup under the tap. Make sure it is the right size.

- ▶ *selected NO:  
next screen is [7.2.1.3h](#)*

- press **start** to confirm



7.2.1.3e

Information screen

- ▶ *Your test beverage is being prepared.*
- ▶ *The Sprso automatically go to screen [7.2.1.3g](#)*



7.2.1.3f

7.2.1.3g



Test result.

- press < or > to choose no/yes
  - ▶ *selected YES:*  
next screen is [7.2.1.3h](#)
  - ▶ *selected NO:*  
next screen is [7.2.1.3a](#)
- press **start** to confirm

7.2.1.3h



Finished.

- press < or > to edit another or make a new beverage
- press **start** to confirm and go to the next screen
- press ≡ and leave the "Beverage menu"

7.2.1.3i



Delete a *self-made beverage*:

- press < or > to choose no/yes
  - ▶ *selected YES:*  
next screen is [7.2.1.3](#)
  - ▶ *selected NO:*  
next screen is [7.2.2.3](#)
- press **start** to confirm

## 7.2.2 Edit default beverage (general)

You can change the settings of the default beverages.

The milk based beverages are always visible in this menu but cannot be edited, unless the milk unit is activated in [§7.3.1 on page 74](#).

Once a *self-made beverage* is created it appears here too. The only difference with a default beverage is that a *self-made beverage* cannot be switched off (disabled), it must be deleted.

• There are three different workflows to change beverages:

1. coffee only
2. coffee with milk (or extra water)
3. hot water or hot milk

### 7.2.2.1 Edit default beverage with only coffee

7.2.2.1



Edit a default beverage:

- press < or > to scroll through the beverage menu
- choose a beverage to adjust

▶ *Double beverage are also available to change.*

- press **start** to confirm

▶ *For coffee only go to screen [7.2.2.1a](#) or [7.2.2.1b](#)*

▶ *For coffee with 'milk' or 'extra water' go to screen [7.2.2.2](#)*

▶ *For milk or hot water go to screen [7.2.2.3](#)*

- press ≡ and leave the "Beverage menu"

7.2.2.1a



Disable a beverage:

- press < or > to choose no/yes
- press **start** to confirm, go to screen [7.2.2.1c](#)
- press ≡ and go to screen [7.2.2.1](#)

7.2.2.1b



Enable a disabled beverage:

- press < or > to choose no/yes
- press **start** to confirm
- press ≡ and go to screen [7.2.2.1](#)

7.2.2.1c



Select the volume to edit:

- press < or > to select the volume to edit
- press **start** to confirm
- press ≡ and go to screen [7.2.2.1a](#)

7.2.2.1d



Volume:

- press < or > to choose the volume
  - ▶ *The related arrow will disappear if the minimum or maximum value is reached (off, 20-250ml)*
  - ▶ *If "off" is selected (only applicable for S and L), the beverage will be turned off and screen [7.2.2.1h](#) will be displayed directly.*
- press **start** to confirm
- press ≡ and go to screen [7.2.2.1j](#)

7.2.2.1e



Coffee weight:

- press < or > to choose the weight
  - ▶ *The related arrow will disappear if the minimum or maximum value is reached (6-36gr).*
  - ▶ *Doses exceeding 18 g are divided equally between two doses.*
- press **start** to confirm
- press ≡ and go to screen [7.2.2.1j](#)

7.2.2.1f



Extraction time:

- ▶ *The time that the water is injected into the ground coffee.*
- press < or > to choose the seconds
- ▶ *The related arrow will disappear if the minimum or maximum value is reached (5-60sec.).*
- press **start** to confirm
- press ≡ and go to screen [7.2.2.1j](#)

7.2.2.1g



Pre-infusion option:

- ▶ *This function adds water to the ground coffee to soak for a better taste.*
- press < or > to choose on/off
- press **start** to confirm
- press ≡ and go to screen [7.2.2.1j](#)

7.2.2.1h



Save beverage.

- press **start** to confirm
- press ≡ and go to screen [7.2.2.1j](#)

7.2.2.1i



Information screen.

- ▶ *The Sprso automatically go to screen [7.2.2.1k](#).*

Information screen.

- ▶ The Sprso automatically go to screen [7.2.2.1](#).

7.2.2.1j



Test option:

- press < or > to choose no/yes

- ▶ selected YES:  
next screen is [7.2.2.1k](#)

» Place a cup under the tap. Make sure it is the right size.

- ▶ selected NO:  
next screen is [7.2.2.1](#)

- press **start** to confirm

7.2.2.1k



Information screen

- ▶ Your test beverage is being prepared.
- ▶ The Sprso automatically go to screen [7.2.2.1m](#)

7.2.2.1l



Test result.

- press < or > to choose no/yes

- ▶ selected YES:  
next screen is [7.2.2.1](#)

- ▶ selected NO:  
next screen is [7.2.2.1a](#)

- press **start** to confirm

7.2.2.1m



### 7.2.2.2 Edit default beverage with coffee with milk (or extra water)

7.2.2.2



Edit a default beverage:

- press < or > to scroll through the beverage menu
- choose a beverage to adjust
  - ▶ *Double beverage are also available to change.*
- press **start** to confirm
  - ▶ *For coffee only go to screen [7.2.2.1](#)*
  - ▶ *For coffee with 'milk' or 'extra water' go to screen [7.2.2.2a](#)*
  - ▶ *For milk or hot water go to screen [7.2.2.3](#)*
- press ≡ and leave the "Beverage menu"

7.2.2.2a



Disable the beverage:

- press < or > to choose no/yes
- press **start** to confirm, go to screen [7.2.2.2c](#)
- press ≡ and go to screen [7.2.2.2](#)

7.2.2.2b



Enable a disabled beverage:

- press < or > to choose no/yes
- press **start** to confirm
- press ≡ and go to screen [7.2.2.2](#)

7.2.2.2c



Select the volume to edit:

- press < or > to select the volume to edit
- press **start** to confirm
- press ≡ and go to screen [7.2.2.2](#)

7.2.2.2d



Volume:

- press < or > to choose the volume
  - ▶ *The related arrow will disappear if the minimum or maximum value is reached (off, 20-250ml)*
  - ▶ *If "off" is selected (only applicable for S and L), the beverage will be turned off and screen [7.2.2.2i](#) will be displayed directly.*
- press **start** to confirm
- press ≡ and go to screen [7.2.2.2k](#)

7.2.2.2e



Coffee weight:

- press < or > to choose the weight
  - ▶ *The related arrow will disappear if the minimum or maximum value is reached (6-18g).*
- press **start** to confirm
- press ≡ and go to screen [7.2.2.2k](#)

7.2.2.2f



Extraction time:

- ▶ *The time that the water is injected into the ground coffee.*
- press < or > to choose the seconds
  - ▶ *The related arrow will disappear if the minimum or maximum value is reached (5-60sec.).*
- press **start** to confirm
- press ≡ and go to screen [7.2.2.2k](#)

Pre-infusion option:

► *This function adds water to the ground coffee to soak for a better taste.*

- press < or > to choose on/off
- press **start** to confirm
- press ≡ and go to screen [7.2.2.2k](#)



7.2.2.2g

Select the milk (or water) volume:

- press < or > to select the amount of milk/water
- press **start** to confirm
- press ≡ and go to screen [7.2.2.2k](#)

► *zzz ml = xxx ml (coffee) + yyy ml (milk or water)*



7.2.2.2h

Save beverage.

- press **start** to confirm
- press ≡ and go to screen [7.2.2.2k](#)



7.2.2.2i

Information screen.

► *The Sprso automatically go to screen [7.2.2.2l](#).*



7.2.2.2j

Information screen.

- ▶ The Sprso automatically go to screen [7.2.2.2](#)



7.2.2.2k

Test option:

- press < or > to choose no/yes

- ▶ selected YES:  
next screen is [7.2.2.2m](#)

» Place a cup under the tap. Make sure it is the right size.

- ▶ selected NO:  
next screen is [7.2.2.2](#)

- press **start** to confirm



7.2.2.2l

Information screen

- ▶ Your test beverage is being prepared.
- ▶ The Sprso automatically go to screen [7.2.2.2n](#)



7.2.2.2m

Test result.

- press < or > to choose no/yes

- ▶ selected YES:  
next screen is [7.2.2.2](#)

- ▶ selected NO:  
next screen is [7.2.2.2a](#)

- press **start** to confirm



7.2.2.2n

### 7.2.2.3 Edit default beverage hot water or hot milk

7.2.2.3



Edit a default beverage:

- press < or > to scroll through the beverage menu
- choose a beverage to adjust
- press **start** to confirm

▶ For coffee only go to screen [7.2.2.1](#)

▶ For coffee with 'milk' or 'extra water' go to screen [7.2.2.2](#)

▶ For milk or hot water go to screen [7.2.2.3a](#)

- press ≡ and leave the "Beverage menu"

7.2.2.3a



Disable the beverage:

- press < or > to choose no/yes
- press **start** to confirm, go to screen [7.2.2.3c](#)
- press ≡ and go to screen [7.2.2.3](#)

7.2.2.3b



Enable a disabled beverage:

- press < or > to choose no/yes
- press **start** to confirm
- press ≡ and go to screen [7.2.2.3](#)

7.2.2.3c



Select the volume to edit:

- press < or > to select the volume to edit
- press **start** to confirm
- press ≡ and go to screen [7.2.2.3](#)

7.2.2.3d



Volume:

- press < or > to choose the volume
  - ▶ *The related arrow will disappear if the minimum or maximum value is reached (off, 20-250ml)*
  - ▶ *If "off" is selected (only applicable for S and L), the beverage will be turned off.*
- press **start** to confirm
- press ≡ and go to screen [7.2.2.3g](#)

7.2.2.3e



Save beverage.

- press **start** to confirm
- press ≡ and go to screen [7.2.2.3g](#)

7.2.2.3f



Information screen.

- ▶ *The Sprso automatically go to screen [7.2.2.3h](#).*

Information screen.

- ▶ *The Sprso automatically go to screen [7.2.2.3](#).*



7.2.2.3g

Test option:

- press < or > to choose no/yes
  - ▶ *selected YES:*  
*next screen is [7.2.2.3i](#)*
    - » Place a cup under the tap. Make sure it is the right size.
  - ▶ *selected NO:*  
*next screen is [7.2.2.3](#)*
- press **start** to confirm



7.2.2.3h

Information screen

- ▶ *Your test beverage is being prepared.*
- ▶ *The Sprso automatically go to screen [7.2.2.3j](#)*



7.2.2.3i

Test result.

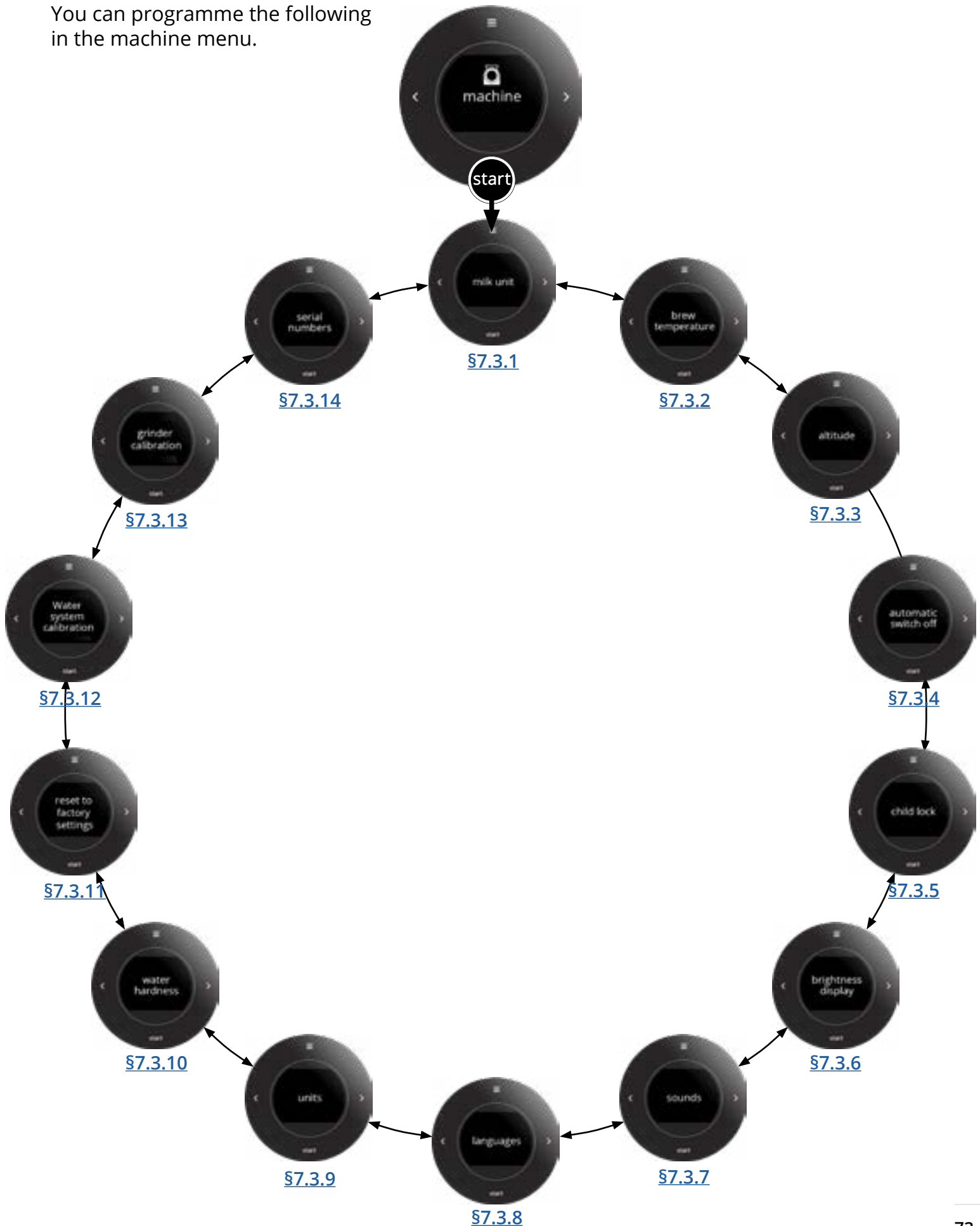
- press < or > to choose no/yes
  - ▶ *selected YES:*  
*next screen is [7.2.2.3](#)*
  - ▶ *selected NO:*  
*next screen is [7.2.2.3a](#)*
- press **start** to confirm



7.2.2.3j

### 7.3 Machine

You can programme the following in the machine menu.



### 7.3.1 Milk unit

A milk unit/cooler can be added to the Sprso.

By activating the milk unit, the beverages with milk will be available and all related menus will become accessible. Messages concerning the cleaning and flushing become active.



7.3.1

Milk unit:

- press **start** to confirm or
- press < or > to scroll through the machine menu



7.3.1a

Did you connect a milk unit:

- press < or > to choose no/yes
- press **start** to confirm



7.3.1b

Information screen:

- ▶ *Only visible if a milk unit is activated in the software.*
- press > to go to the machine menu

### 7.3.2 Brew temperature

It is possible to adjust the default brew temperature.

The temperature of all the beverages will be effected by this option.

When a different altitude is selected (see [§7.3.3 on page 76](#)) the default brew temperature is automatically changed.

Temperature setting	Temperature
low	-4°C (-7.2°F) relative to the default brew temperature
medium	default brew temperature
high	+2°C (+3.6°F) relative to the default brew temperature

7.3.2



Brew temperature:

- press **start** to confirm or
- press < or > to scroll through the machine menu

7.3.2a



Adjust the brew temperature:

- press < or > to choose a setting and
- press **start** to confirm

### 7.3.3 Altitude

The setting of altitude where the Sprso is used (default: sea level) is necessary to determine the boiling point that depends on the local atmospheric pressure.

The boiling point at sea level is around 100°C (212°F), while the boiling point at 2000 meter is slightly lower at 97°C (206.6°F).

Altitude	Temperature compensation
0 - 1000	0 °C (32.0 °F)
1000 - 2000	-3 °C (-5.4 °F)
2000 - 3000	-6 °C (-10.8 °F)

7.3.3



Altitude:

- press **start** to confirm or
- press < or > to scroll through the machine menu

7.3.3a



Adjust the altitude setting:

- press < or > to choose a setting and
- press **start** to confirm

### 7.3.4 Automatic switch off

After a certain amount of time, the Sprso will automatically go into an energy-saving mode for lower power consumption, see also [§4 on page 11](#).

#### Automatic switch off:

- disabled
- after 30 minutes
- after 1 hour
- after 2 hour
- after 4 hours

7.3.4



Automatic switch off:

- press **start** to confirm or
- press < or > to scroll through the machine menu

7.3.4a



Adjust the automatic switch off function:

- press < or > to choose a setting and
- press **start** to confirm

### 7.3.5 Child lock

Select this option to prevent dangerous situations due to unintended actions, e.g. unattended children pressing controls.

By pressing both navigation buttons (< >) simultaneously for 5 seconds, the child lock is activated and the controls are automatically switched off.

If a button is pressed while the child lock is activated, the screen turns on and a message appears, see [7.3.5b](#).

To deactivate the child lock, press both navigation buttons (< >) simultaneously again for 5 seconds.

7.3.5



Child lock:

- press **start** to confirm or
- press < or > scroll through the machine menu

7.3.5a



Do you want to use the child lock:

- press < or > to choose no/yes
- press **start** to confirm

- ▶ *selected YES:*  
*next screen is [7.3.5b](#)*
- ▶ *selected NO:*  
*next screen is [7.3.5](#)*

7.3.5b



Information screen

- press **start** to confirm

### 7.3.6 Brightness screen

The brightness of the screen can be adjusted in 5 steps and is immediately visible.



Brightness screen:

- press **start** to confirm or
- press < or > to scroll through the machine menu

7.3.6



Adjust the brightness of the screen:

- press < or > to choose a setting and
- press **start** to confirm

7.3.6a

### 7.3.7 Sounds

Audio signals are used to give feedback.

There are 3 different tones. The tone and volume of the sound cannot be adjusted.

Tone	When	Kind of adjustment
1	Start up, warning before flush, end of process or when a next action is required	not adjustable
2	Sound of messages	on/off
3	Sound of buttons	on/off

7.3.7



Sounds:

- press **start** to confirm or
- press < or > to scroll through the machine menu

7.3.7a



Sounds of messages:

- press < or > to choose sounds of messages or sounds of buttons
- press **start** to confirm sounds of messages

7.3.7b



Set sounds on/off during messages and warnings:

- press < or > to choose no/yes
- press **start** to confirm



7.3.7c

Sound while pressing a button:

- press < or > to choose sounds of buttons or sounds of messages
- press **start** to confirm sounds of buttons



7.3.7d

Set sound feedback from buttons on/off:

- press < or > to choose no/yes
- press **start** to confirm

### 7.3.8 Languages

English is the default language.

The available languages are:

- |              |             |                |                  |
|--------------|-------------|----------------|------------------|
| • English    | • Français  | • Ελληνικά     | • Español (US)   |
| • Norsk      | • Italiano  | • Magyar       | • Français (CA)  |
| • Polski     | • Español   | • Română       | • Português (BR) |
| • Nederlands | • Português | • Čeština      | • Türkçe         |
| • Svenska    | • Dansk     | • Русский      | • Український    |
| • Deutsch    | • Suomi     | • English (US) |                  |



7.3.8

Languages selection:

- press **start** to confirm or
- press < or > to scroll through the machine menu



7.3.8a

Select your language:

- press < or > to choose a language and
- press **start** to confirm

### 7.3.9 Units

The units for volume and height can be changed.

All variables of the Sprso are based on the International System of Units (SI), all others are calculated based on this.



7.3.9

Units:

- press **start** to confirm or
- press < or > to scroll through the machine menu



7.3.9a

Volume units:

- press < or > to choose volume or height units
- select volume units
- press **start** to confirm



7.3.9b

Change volume units:

- press < or > to choose ml/l or fl.oz/gal
- press **start** to confirm



7.3.9c

Height units:

- press < or > to choose height or volume units
- select height units
- press **start** to confirm



7.3.9d

Change height units:

- press < or > to choose metre or feet
- press **start** to confirm

### 7.3.10 Water hardness

It is important to know the correct hardness of the water at the location where the Sprso is used for setting the descaling signal.

Ask the local water company for the hardness of the water or measure the hardness of the water yourself with the water hardness tester (according to the corresponding instructions).



7.3.10

Water hardness:

- press **start** to confirm or
- press < or > to scroll through the machine menu



7.3.10a

Adjust the water hardness setting:

- press < or > to choose a setting and
  - press **start** to confirm
- *The water hardness is set to "average" (7-14 °dH) as standard, see [§10.1 on page 109](#).*

### 7.3.11 Reset to factory settings

The adjusted settings can be reset to the default settings in 3 ways.

Selected option	Result
Reset the beverage settings	All beverages will return to default <b>except</b> the beverages you created in <a href="#">§7.2.1 on page 50</a> .
Reset the machine settings	Any settings you have changed in <a href="#">§7.3</a> are restored to the default settings. The beverage counters are also reset.
Reset to factory default	The profile and all beverages are reset to default <b>including</b> the beverages you created in <a href="#">§7.2.1 on page 50</a> . Any settings you have changed in <a href="#">§7.3</a> are restored to the default settings. ▶ <i>The total counter and the descaling counter are not reset.</i>

7.3.11



Reset to factory settings:

- press **start** to confirm or
- press < or > to scroll through the machine menu

7.3.11a



Reset the beverage settings:

- press < or > to scroll through the reset to factory settings menu or
- press **start** to reset the beverage settings



7.3.11b

Reset the machine settings:

- press < or > to scroll through the reset to factory settings menu or
- press **start** to reset the machine settings



7.3.11c

Reset to factory default:

- press < or > to scroll through the reset to factory settings menu or
  - press **start** to reset *all* settings
- *The Sprso starts with screen [2a](#)*

### 7.3.12 Water system calibration

In this menu the water system can be calibrated.

With calibration the volume of the water is determined for a defined flow and time.

When finished the measured volume must be filled in.

- ▶ *The water system calibration is used to adjust the differences between the actual water delivery of the Sprso and the indicated amount.*

#### Necessities:

- measuring cup (with fine scale)



Calibration water system:

- press **start** to confirm

7.3.12



Step 1: preparation

- make sure that you have all necessities
- press > to go to the next step

7.3.12a



Step 2: preparation

- follow the instructions on the screen
- press **start** to begin the calibration

7.3.12b

7.3.12c



- Step 3: dosing hot water
- wait for the next screen

7.3.12d



- Step 4: measure
- read the dosed water
  - press > to go to the next step

7.3.12e



- Step 5: measure
- press < or > to enter the measured volume
  - press **start** to confirm

7.3.12f



- Save entered value:
- wait for the next screen

### 7.3.13 Grinder calibration

The grinder calibration will affect every coffee related beverage.

**Necessities:**

- coffee beans
- digital kitchen scales

7.3.13



Calibration grinder:  
• press **start** to confirm

7.3.13a



Step 1: preparation  
• make sure that you have all necessities  
• press > to go to the next step

7.3.13b



Step 2: preparation  
• follow the instructions on the screen  
• press **start** to confirm

7.3.13c



- Step 3: preparation
- wait for the next screen

7.3.13d



- Step 4: preparation
- follow the instructions on the screen
  - ▶ *The next screen is displayed automatically when the drip tray is removed.*

7.3.13e



- Step 5: preparation
- follow the instructions on the screen
  - press > to go to the next step
  - ▶ *Tare the scales, the scale has a key that sets the scale display to zero when the empty waste bin is placed on the weighing platform so that only the weight of the bin's contents is then displayed.*

7.3.13f



- Step 6: preparation
- follow the instructions on the screen
  - press **start** to confirm

- Step 7: calibration
- wait for the next screen



7.3.13g

- Step 8: calibration
- follow the instructions on the screen
  - ▶ *The next screen is displayed automatically when the drip tray is removed.*



7.3.13h

- Step 9: calibration
- follow the instructions on the screen
  - press > to go to the next step



7.3.13i

- Step 10: calibration
- follow the instructions on the screen
  - press < or > to enter the measured weight
  - press **start** to confirm



7.3.13j

7.3.13k



Step 11: information screen


- wait for the next screen

► *The next screen is displayed automatically when the drip tray is removed.*

7.3.13l



Step 12: information screen

- empty and clean the waste bin and replace all in its original position
- the calibration procedure is completed
- exit the menu by pressing 

### 7.3.14 Machine and software information

The serial number and software versions can be checked, this is essential information for a service request.



7.3.14

Serial numbers:

- press **start** to confirm or
- press < or > to scroll through the machine menu



7.3.14a

Serial number machine:

- press < or > to show the version numbers of the software
- ▶ *The unique serial number of the machine is displayed here.*



7.3.14b

Software version number:

- press < or > to show the serial number of the machine
- ▶ *The following software versions are displayed here:*
  - » Human machine interface (HMI)
  - » I/O board
  - » Recipe and configuration file.

## 7.4 Online help

Online information can be approached via the QR code shown on the screen.



7.4.1

Online information:

- press **start** to confirm or
- press < or > to scroll through the machine menu



7.4.1a

Online manuals:

- press < or > to scroll through the available QR codes
- scan the QR code to download the latest online manual(s) from the web



7.4.1b

Online animations:

- press < or > to scroll through the available QR codes
- scan the QR code to download the latest online animation(s) from the web

## 8.Special circumstances

### 8.1 CIRCO brewer partially mounted (Error 10015)

After maintenance of the CIRCO brewer, it is possible that the CIRCO brewer housing cannot be brought into the correct position because the CIRCO brewer axis has rotated.

Close the side/service panel, this activates the message (8.1a), then follow the on screen instructions to solve the problem.

- ▶ *The CIRCO brewer axis cannot be turned manually nor with tools.*



8.1a

Information screen:  
• press > to begin the reset



8.1b



- open the side panel as shown on the screen
- ▶ *When the side panel is removed, the next screen will appear.*



8.1c

Check if the complete CIRCO brewer can be placed:

- press < or > to choose no/yes
- press **start** to confirm

- ▶ *selected YES:  
next screen is [8.1j](#)*
- ▶ *selected NO:  
go to the next screen*

The CIRCO brewer axis needs to be repositioned:

- press > to go to the next screen

8.1d



8.1e



- press < or > to choose the direction of rotation
- press **start** to confirm

8.1f



- ▶ *The side panel must be closed, otherwise there is a risk of injury from rotating parts.*
- close the side panel as shown on the screen
- ▶ *When the side panel is back in place, the next screen will appear.*

8.1g



- press **start** (and hold) to rotate the axis
- press > and go to the next screen

- open the side panel as shown on the screen
- ▶ *When the side panel is removed, the next screen will appear.*

8.1h



8.1i



- Can the CIRCO brewer be placed:
- press < or > to choose no/yes
  - press **start** to confirm
  - ▶ *selected NO:*  
*next screen is [8.1e](#)*
  - ▶ *selected YES:*  
*go to the next screen*

- close the side panel as shown on the screen
- ▶ *When the side panel is back in place, the 'beverage selection screen' will appear.*

8.1j



8.1k



CIRCO brewer reset has finished

## 8.2 CIRCO brewer malfunction (Error 04104)

CIRCO brewer is blocked or defect.

When no movement is detected the error message is displayed, see [8.2a](#).

► *The CIRCO brewer axis cannot be turned manually nor with tools.*

8.2a



Information screen:  
• press > to begin the reset

8.2b



• open the side panel as shown on the screen  
► *When the side panel is removed, the next screen will appear.*

8.2c



Information screen:  
• follow the screen instructions  
• press > to go to the next screen

8.2d



Check if the complete CIRCO brewer can be placed:

- press < or > to choose no/yes
- press **start** to confirm

- ▶ *selected YES:*  
*next screen is [8.2m](#)*
- ▶ *selected NO:*  
*go to the next screen*

8.2e



- press < or > to choose the direction of rotation
- press **start** to confirm

8.2f



- ▶ *The side panel must be closed, otherwise there is a risk of injury from rotating parts.*
- close the side panel as shown on the screen
- ▶ *When the side panel is back in place, the next screen will appear.*

8.2g



- press **start** (and hold) to rotate the axis
- press > and go to the next screen

8.2h



- open the side panel as shown on the screen
- ▶ *When the side panel is removed, the next screen will appear.*

8.2i



Can the CIRCO brewer be placed:

- press < or > to choose no/yes
- press **start** to confirm

- ▶ *selected NO:  
next screen is [8.2i](#)*
- ▶ *selected YES:  
next screen is [8.2m](#)*

8.2j



Information screen:

- follow the screen instructions
- press > to go to the next screen

8.2k



Check if the complete CIRCO brewer can be placed:

- press < or > to choose no/yes
- press **start** to confirm

- ▶ *selected NO:  
go to the next screen*
- ▶ *selected YES:  
next screen is [8.2m](#)*

Information screen:

- press > to go to screen [8.2e](#)

8.2l



- close the side panel as shown on the screen
  - ▶ *When the side panel is back in place, the 'beverage selection screen' will appear.*

8.2m



CIRCO brewer reset has finished

8.2n



## 9. Warning and errors messages

### 9.1 Warning messages


Warning messages are used to inform the operator of a state which can prevent the Sprso from working correctly. In general warning messages are displayed after a beverage.



- ▶ *The warning messages are displayed for 30 seconds.  
A message can be displayed again when any button (except menu button) is used. The menu will remain available.*

Example screen for warning messages



9.1a

Nr	Message	Description	Reset condition
ME01	fill or place water tank	no water detected in water tank or water tank not present	• fill water tank or place water tank in correct position
ME02	not applicable		
ME03	close side panel	side/service panel not in correct position	• close side/service panel (in correct position)
ME04	place drip tray + waste bin	waste bin not in place	• place drip tray with waste bin (in correct position)
ME05	empty waste bin The icon below is visible on the 'beverage selection screen'.	the waste bin is full and must be emptied or waste bin counter exceeded	• remove the drip tray, empty the waste bin inclusive the drip tray and put the parts back in the correct position
			
ME06	not applicable		

Nr	Message	Description	Reset condition
ME07	clean milk system	will be displayed when machine flush or start-up flush is active and a milk unit is activated in the software	<ul style="list-style-type: none"> <li>only a reminder</li> </ul>
ME08	clean CIRCO brewer The icon below is visible on the 'beverage selection screen'. 	the counter for the cleaning procedure of the CIRCO brewer is reached (the first message is displayed after 125 brewing cycles - the message is repeated after every coffee-related beverage until the CIRCO brewer is cleaned)	<ul style="list-style-type: none"> <li>perform the procedure described in <a href="#">§7.1.3 on page 28</a></li> </ul>
ME09	replace water filter The icon below is visible on the 'beverage selection screen'. 	the water filter counter has been reached (the message appears after "XX" litres have passed through the water counter and is repeated after every 11 beverages)	<ul style="list-style-type: none"> <li>replace the water filter and confirm this in <a href="#">§7.1.6 on page 38</a></li> </ul>
ME10	descale machine	the counter for the descaling is reached (the message is repeated after every 9 beverages)	<ul style="list-style-type: none"> <li>descale the Sprso as described in <a href="#">§7.1.5 on page 33</a>)</li> </ul>
ME11	not applicable		
ME12	CIRCO brewer jammed by grinding or obstruction	CIRCO brewer is blocked. too much coffee ground in the CIRCO brewer or an obstruction	<ul style="list-style-type: none"> <li>remove the obstruction</li> </ul>

## 9.2 Error messages

Error messages appear when an error is detected by the machine's operating system. Depending on the error, it remains active or can be solved by itself and the error message disappears by itself.

The error message is stored to the Error Log (see [§7.1.9 on page 48](#)).

A total of 12 errors can be logged by the Sprso for technical support. When the log is full the first error will be overwritten.

- ▶ *The start button can be pressed to restart the Sprso.  
If the error messages returns after the appropriate action, please contact your dealer.*

Example screen for error messages



9.2a

Nr	Error	Description	Reset condition
00000	communication failed	communication between HMI- and I/O-board defect	<ul style="list-style-type: none"> <li>• press start button, machine will be restarted</li> <li>» if the error persists, contact your dealer</li> </ul>
00201	no water flow detected	no water flow detected in system	<ul style="list-style-type: none"> <li>• clean water tank</li> <li>• fill water tank and place water tank in correct position</li> <li>• press start button, machine will be restarted</li> <li>» if the error persists, contact your dealer</li> </ul>
00401	grinder blocked	grinder is blocked or broken	<ul style="list-style-type: none"> <li>• remove all the beans from the grinder with a vacuum cleaner</li> <li>• press start button, machine will be restarted</li> <li>» if the error persists, contact your dealer</li> </ul>

Nr	Error	Description	Reset condition
02101	temperature sensor not connected	temperature sensor is not connected or reading invalid	<ul style="list-style-type: none"> <li>• press start button, machine will be restarted               <ul style="list-style-type: none"> <li>» if the error persists, contact your dealer</li> </ul> </li> </ul>
02102	temperature sensor reading	temperature sensor reading invalid	<ul style="list-style-type: none"> <li>• press start button, machine will be restarted               <ul style="list-style-type: none"> <li>» if the error persists, contact your dealer</li> </ul> </li> </ul>
02203	heating element protection	heating element is overheated or defect	<ul style="list-style-type: none"> <li>• press start button, machine will be restarted               <ul style="list-style-type: none"> <li>» if the error persists, contact your dealer</li> </ul> </li> </ul>
04104	brewer malfunction	CIRCO brewer is blocked or defect	<ul style="list-style-type: none"> <li>• press start button, machine will be restarted</li> <li>• follow procedure of <a href="#">§8.2 on page 99</a> <ul style="list-style-type: none"> <li>» if the error persists, contact your dealer</li> </ul> </li> </ul>
10001	I/O-error	I/O safety control fails	<ul style="list-style-type: none"> <li>• press start button, machine will be restarted               <ul style="list-style-type: none"> <li>» if the error persists, contact your dealer</li> </ul> </li> </ul>
10011	heater not responding	dosage not within a reasonable time	<ul style="list-style-type: none"> <li>• press start button, machine will be restarted               <ul style="list-style-type: none"> <li>» if the error persists, contact your dealer</li> </ul> </li> </ul>
10015	brewer partially mounted	the machine cannot determine the starting position of the CIRCO brewer	<ul style="list-style-type: none"> <li>• press start button, machine will be restarted</li> <li>• follow procedure of <a href="#">§8.1 on page 96</a> <ul style="list-style-type: none"> <li>» if the error persists, contact your dealer</li> </ul> </li> </ul>

### 9.3 Other problems

In addition to the messages and errors present in the machine, a number of other problems may occur; these problems are described below.

Problem description	Possible cause	Check the following
after coffee is selected, neither coffee nor hot water is dispensed	internal malfunction	<ul style="list-style-type: none"> <li>pull the plug out of the socket, wait at least 10 seconds, plug the plug back in</li> <li>» if the error persists, contact your dealer</li> </ul>
after coffee is selected, there is less coffee in the cup than normal	internal malfunction	<ul style="list-style-type: none"> <li>pull the plug out of the socket, wait at least 10 seconds, plug the plug back in</li> <li>» if the error persists, contact your dealer</li> </ul>
after coffee is selected, no coffee is dispensed, only hot water	bean canister empty	<ul style="list-style-type: none"> <li>fill bean canister</li> </ul>
	grinder outlet missing	<ul style="list-style-type: none"> <li>place the grinder outlet in correct position</li> </ul>
	internal malfunction	<ul style="list-style-type: none"> <li>pull the plug out of the socket, wait at least 10 seconds, plug the plug back in</li> <li>» if the error persists, contact your dealer</li> </ul>
display doesn't turn on	no power on wall socket	<ul style="list-style-type: none"> <li>power supply on the wall socket</li> </ul>
	internal malfunction	<ul style="list-style-type: none"> <li>pull the plug out of the socket, wait at least 10 seconds, plug the plug back in</li> <li>» if the error persists, contact your dealer</li> </ul>
buttons surrounding the screen don't work	buttons need to be cleaned	<ul style="list-style-type: none"> <li>pull the plug out of the socket, clean the screen of the Sprso with a damp cloth and dry with a soft cloth</li> </ul>
	internal malfunction	<ul style="list-style-type: none"> <li>pull the plug out of the socket, wait at least 10 seconds, plug the plug back in</li> <li>» if the error persists, contact your dealer</li> </ul>
no crema on coffee beverages	brewer not cleaned	<ul style="list-style-type: none"> <li>perform the procedure described in <a href="#">§7.1.3 on page 28</a></li> </ul>
	brewer defect/broken	<ul style="list-style-type: none"> <li>in addition manually clean and check all brewer parts as described in <a href="#">§6.2.3 on page 18</a></li> </ul>
no milk dosed	milk reservoir or milk carton empty	<ul style="list-style-type: none"> <li>refill the reservoir with milk or replace the milk carton</li> </ul>
	milk connector and hose not correctly in place	<ul style="list-style-type: none"> <li>place the milk connector and hose in correct position, see <a href="#">§10.3 on page 112</a></li> </ul>
	internal malfunction	<ul style="list-style-type: none"> <li>pull the plug out of the socket, wait at least 10 seconds, plug the plug back in</li> <li>» if the error persists, contact your dealer</li> </ul>

Problem description	Possible cause	Check the following
bad milk foam	outlet not properly in place	<ul style="list-style-type: none"> <li>place the outlet in correct position, see <a href="#">§6.2.1 on page 16</a></li> </ul>
	outlet not cleaned	<ul style="list-style-type: none"> <li>perform milk cleaning procedure, see <a href="#">§7.1.2 on page 25</a></li> </ul>
	milk connector not properly in place	<ul style="list-style-type: none"> <li>place the milk connector in correct position, see <a href="#">§10.3 on page 112</a></li> </ul>
	internal malfunction	<ul style="list-style-type: none"> <li>pull the plug out of the socket, wait at least 10 seconds, plug the plug back in » if the error persists, contact your dealer</li> </ul>
milk sputters very much	milk temperature	<ul style="list-style-type: none"> <li>the optimum milk temperature is 5°C; <i>the warmer the milk, the poorer the quality of foam produced</i></li> </ul>
	milk connector not properly in place	<ul style="list-style-type: none"> <li>place the milk connector in correct position, see <a href="#">§10.3 on page 112</a></li> </ul>
water under the machine	water tank not correctly in place	<ul style="list-style-type: none"> <li>place the water tank in correct position</li> </ul>
	drip tray and waste bin not emptied on time	<ul style="list-style-type: none"> <li>empty drip tray and waste bin and clean the spillage</li> </ul>
	internal malfunction	<ul style="list-style-type: none"> <li>pull the plug out of the socket, wait at least 10 seconds, plug the plug back in » if the error persists, contact your dealer</li> </ul>

## 10. Appendix

### 10.1 Water hardness and filter information

	very soft	soft	average	moderate	hard
°dH	< 3	3 - 7	7 - 14	14 - 21	> 21
°fH	< 5	5 - 13	13 - 25	25 - 38	> 38
°e / Clark	< 4	4 - 9	9 - 18	18 - 26	> 26
ppm (mg/l) parts per million	< 53	53 - 125	125 - 249	249 - 374	> 374
mmol/l	< 0,5	0,5 - 1,2	1,2 - 2,5	2,5 - 3,7	> 3,7
mg/l CaCO <sub>3</sub>	< 50	50 - 130	130 - 250	250 - 380	> 380
water hardness tester	□□□□	□□□■	□□■	□■■■	■■■■
descale	90 l.	75 l.	50 l.	35 l.	25 l.
descale with water filter	270 l.	225 l.	150 l.	105 l.	75 l.
replace water filter after	180 l.	150 l.	100 l.	70 l.	50 l.

► See [§7.3.10 on page 85](#) to set the water hardness.

## 10.2 Installation of a water filter

- ▶ Follow the original instructions of the purchased filter for more information regarding use and maintenance.

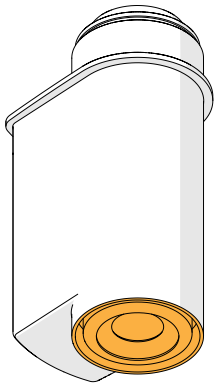
### **Please note**

- ▶ If you use the Sprso normally the water filter lasts for a certain amount of time. This amount of time is mentioned in the manual of the water filter. If you do not use the Sprso whilst the water filter is installed this will decrease the lifespan of the water filter.

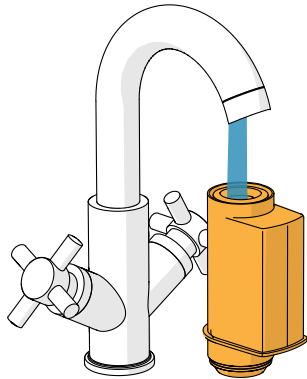
### 10.2.1 Internal water filter

A **BRITA** AquaAroma Crema water filter can be placed inside the water tank.

10.3.1

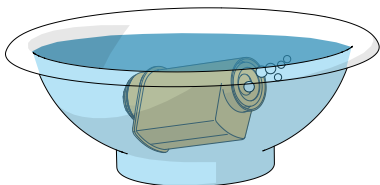


10.3.1a

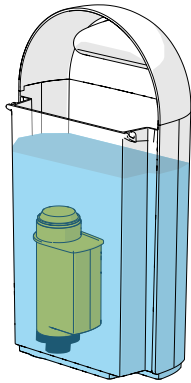


- unpack the filter
- read the installation instructions provided with the filter
- to activate the filter run tap water through the filter until water comes out of the opening for more than a minute

10.3.1b



- fill a clean bowl of fresh cold water
- insert the filter in the bowl and immerse it completely for about ten seconds, *sloping it and pressing it lightly* to enable the air bubbles to escape



10.3.1c

- remove the water tank from the Sprso
  - put the filter in place and press as far as it will go
  - fill the water tank with fresh cold non-carbonated water
  - put the water tank back in the Sprso
- *After installation, it must be indicated in the programming that a water filter is being used, see [§7.1.6 on page 38](#).*

## 10.2.2 External water filter

If an external water filter is chosen, it is recommended that this is installed/replaced by an installer. The corresponding documentation of the external water filter is leading.

- *When installing an external water filter, the descaling indicator is automatically deactivated, therefore it is recommended to descale Sprso **immediately after replacing** the external filter.*

### 10.3 Installation a milk unit

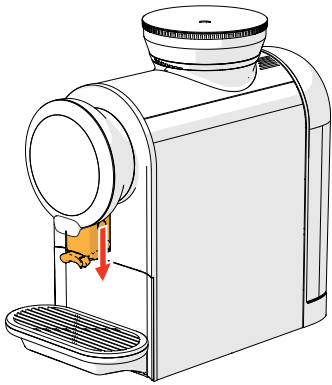
The Sprso is not equipped with a milk unit as standard.

If a milk carton or milk cooler is connected, the following milk based beverages can be selected:

- espresso macchiato
- latte macchiato
- cappuccino
- caffè latte
- cappuccino dark
- hot milk foam

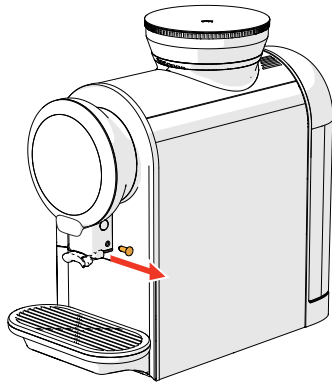
► *Bravilor Bonamat recommends a milk cooler over a non-cooled milk carton.  
Cold milk (5°C) improves the taste of the milk-based beverages.*

10.4a



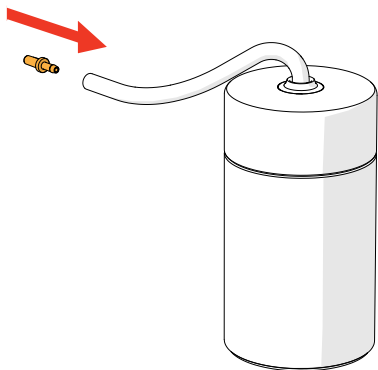
- pull down the outlet

10.4b

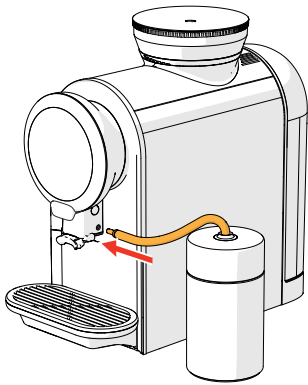


- remove the plug

10.4c

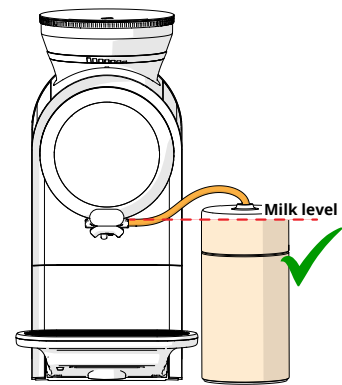
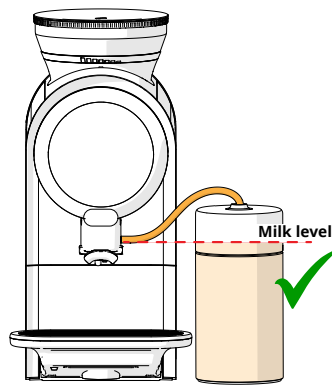
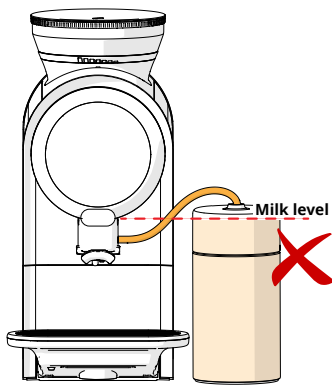


- insert the milk connector



10.4d

- attach the milk hose
  - ▶ Make sure that the milk connection is higher than the milk level in the milk unit to prevent a siphon effect, see [10.4e](#).
  - ▶ Make sure the milk hose reaches the bottom of the milk carton / cooler.
  - ▶ The total distance from the connector to the hose end affects the milk foam.



10.4e



10.4f

- go to [§7.3.1 on page 74](#), to indicate that a milk unit is connected to the Sprso
  - ▶ Do not leave the milk carton / cooler out of the refrigerator for a long period of time. The warmer the milk (5°C is perfect), the poorer the quality of foam produced.

- ▶ Follow the original instructions of the purchased milk unit for more information regarding use and maintenance.

## 10.4 Installation a fixed water connection

The Sprso is not equipped with a fixed water connection as standard.  
If a fixed water connection is connected, there are two things to bear in mind:

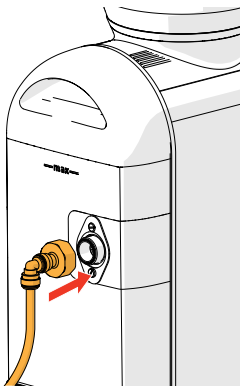
### Descaling procedure

- additional steps added, see sticker on fixed water connection (water tank)

### Water filter

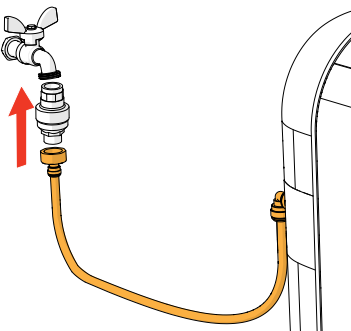
- install an external water filter between the tap and the Sprso, a filter can no longer be placed inside the water tank

10.5a



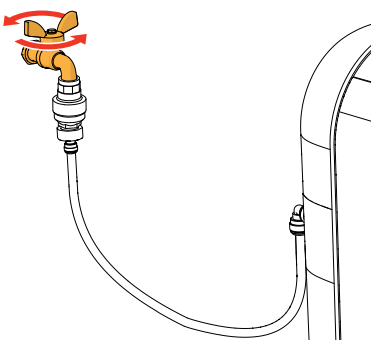
- replace the water tank
- attach the water connection hose to the water tank
- ▶ *Always use the new food approved hose set that is supplied with the water tank.*

10.5b



- ▶ *It is recommended to use a water stop, read the original installation instructions supplied with the water stop.*
- connect the hose to the water stop or directly to the tap

10.5c



- open the tap

## 10.5 Bin full message

When the waste bin counter has reached its limit, the Sprso generates a message to empty it. When replacing the drip tray (with waste tray), screen 10.6b must be answered to update the counter.

- ▶ *The message bin full comes standard after 20 doses, but for a quantity of more than 10,5gr it is after 10 times.*
- ▶ *If the counter is reset while the waste bin is not emptied, the waste bin will overflow with all its consequences.*



10.6a

Waste bin full message:

- remove the drip tray and waste bin and empty them
  - ▶ *Put your finger underneath the overflow to avoid spillage.*
- clean and replace all parts
- the next screen will appear



10.6b

Verification screen:

- press < or > to choose no/yes
- press **start** to confirm
  - ▶ *selected YES:*  
*next screen is [10.6c](#)*
  - ▶ *selected NO:*  
*next screen is [10.6a](#)*



10.6c

## 10.6 Special functions

By using a 'secret key combination' special features can be activated.

10.7a



Standby mode:

- hold the 'Start button' for 5 seconds
- necessary flushes will be done
- the "goodbye" screen is turned off and only the start button is flashing slowly

- ▶ *The standby mode is a function which can be enabled for energy saving.*
- ▶ *Press the start button to end the standby mode*

10.7b



Child lock on/off:

- hold both 'Navigation buttons' for 5 seconds

- ▶ *This function is to lock (and unlock) all controls to prevent accidental dosing (see [§7.3.5 on page 78](#)).*

## 10.7 Standard beverage settings (USA)

Standard volume S per beverage	Total beverage (ml)	Coffee share (ml)	Milk share (ml)	Hot water share (ml)	Coffee (g)	Dosing order	Pre-wet	Contact time (sec.)
Ristretto	20	20	x	x	7	x	on	20
Ristretto x2	40	40	x	x	10	x	on	26
Espresso	30	30	x	x	7	x	on	20
Espresso x2	60	60	x	x	10	x	on	30
Lungo	80	80	x	x	10	x	off	40
Americano	160	60	x	100	10	c-w	on	30
Cappuccino	160	50	110	x	8	m-c	off	25
Latte	160	80	80	x	10	c-m	off	30
Latte macchiato	160	50	110	x	8	m-c	on	30
Espresso macchiato	45	30	15	x	7	c-m	on	20
Hot water	160	x	x	160	x	x	x	x
Hot milk foam	160	x	160	x	x	x	x	x

Standard volume M per beverage	Total beverage (ml)	Coffee share (ml)	Milk share (ml)	Hot water share (ml)	Coffee (g)	Dosing order	Pre-wet	Contact time (sec.)
Ristretto	30	30	x	x	8	x	on	20
Ristretto x2	60	60	x	x	12	x	on	26
Espresso	40	40	x	x	8	x	on	20
Espresso x2	80	80	x	x	12	x	on	30
Lungo	100	100	x	x	11	x	off	40
Americano	210	80	x	130	12	c-w	on	30
Cappuccino	210	65	145	x	10	m-c	off	25
Latte	210	105	105	x	12	c-m	off	30
Latte macchiato	210	75	135	x	10	m-c	on	30
Espresso macchiato	65	50	15	x	8	c-m	on	20
Hot water	210	x	x	210	x	x	x	x
Hot milk foam	210	x	210	x	x	x	x	x

Standard volume L per beverage	Total beverage (ml)	Coffee share (ml)	Milk share (ml)	Hot water share (ml)	Coffee (g)	Dosing order	Pre-wet	Contact time (sec.)
Ristretto	40	40	x	x	9	x	on	20
Ristretto x2	80	80	x	x	14	x	on	26
Espresso	50	50	x	x	9	x	on	20
Espresso x2	100	1000	x	x	14	x	on	30
Lungo	120	120	x	x	12	x	off	40
Americano	260	100	x	160	14	c-w	on	30
Cappuccino	260	80	180	x	12	m-c	off	25
Latte	260	130	130	x	14	c-m	off	30
Latte macchiato	260	100	160	x	12	m-c	on	30
Espresso macchiato	85	60	25	x	9	c-m	on	20
Hot water	260	x	x	260	x	x	x	x
Hot milk foam	260	x	260	x	x	x	x	x

# Brewing your coffee

S I N C E 1 9 4 8